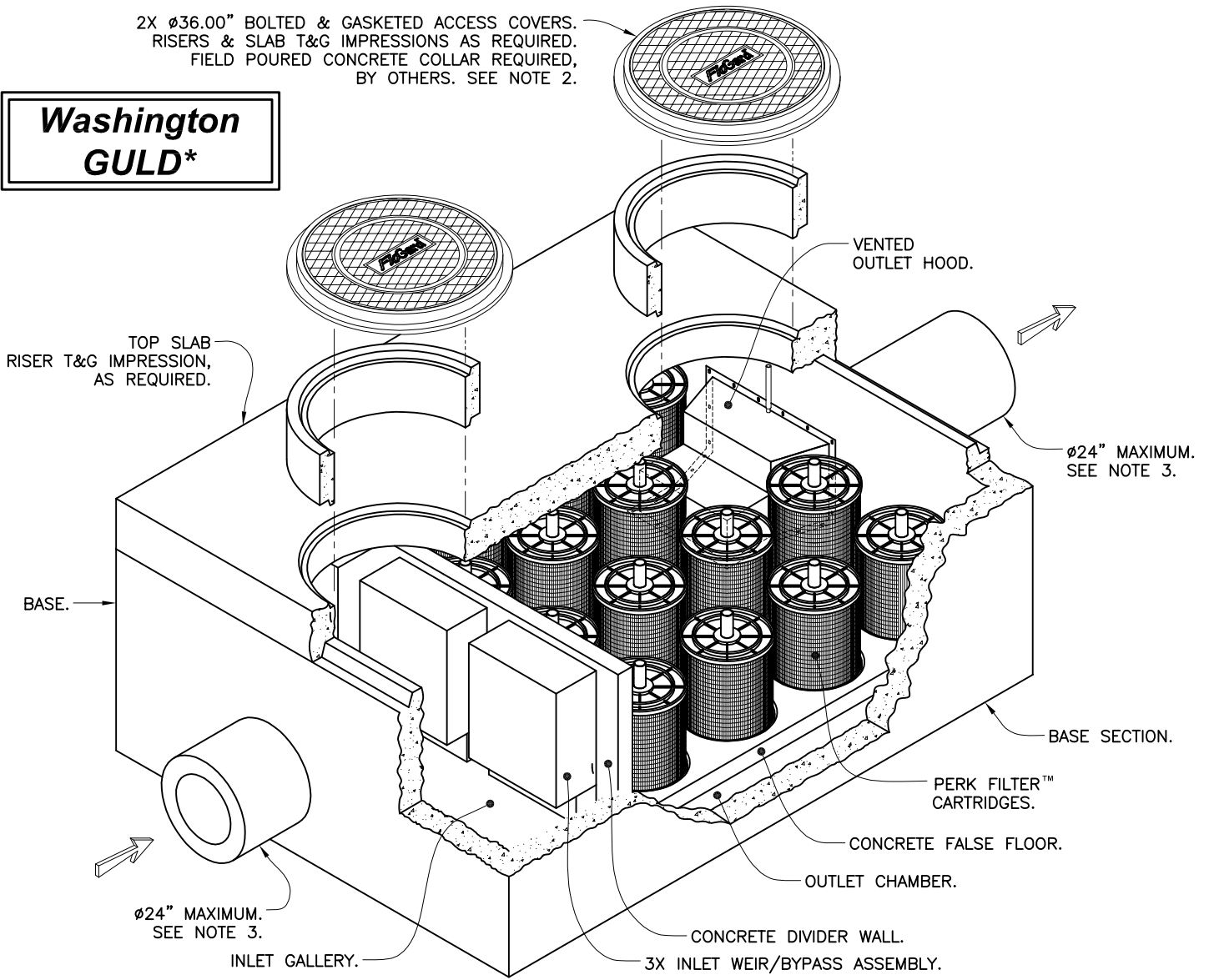


2X Ø36.00" BOLTED & GASKETED ACCESS COVERS.  
 RISERS & SLAB T&G IMPRESSIONS AS REQUIRED.  
 FIELD POURED CONCRETE COLLAR REQUIRED,  
 BY OTHERS. SEE NOTE 2.

**Washington  
 GULD\***



**Notes:**

1. Precast concrete structure shall be manufactured in accordance with ASTM Designation C857 and C858.
2. Filter system shall be supplied with traffic rated (H20) bolted & gasketed Ø36" circular access covers with risers as required. Shallow applications may require configurations with (H20) bolted & gasketed square/rectangular access hatches. Field poured concrete collars required, by others.
3. Inlet & outlet pipe(s) (Ø 24" maximum) may enter device on all three sides of the inlet & outlet chambers respectively.
4. Inlet chamber shall be supplied with a drain-down device designed to remove standing water between storm events.
5. For depths less than specified minimums contact Oldcastle® Stormwater Solutions for engineering assistance.

**\* Treatment Flow Rates shown conform to Washington State GULD Specifications**



Media  
 Filtration

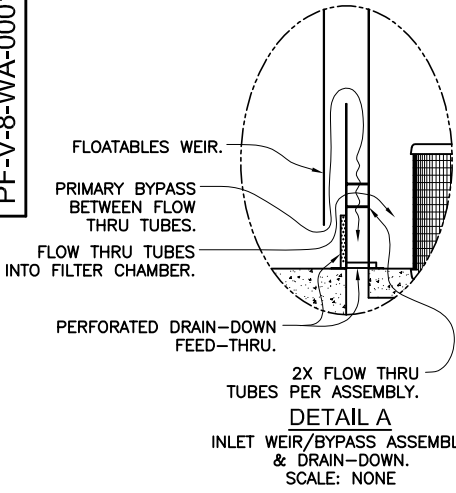
**Perk Filter™**  
 8' Wide Concrete Vault  
 Washington State GULD  
 Six to Thirty One Cartridges / Stacks



**Oldcastle®**  
 Stormwater Solutions

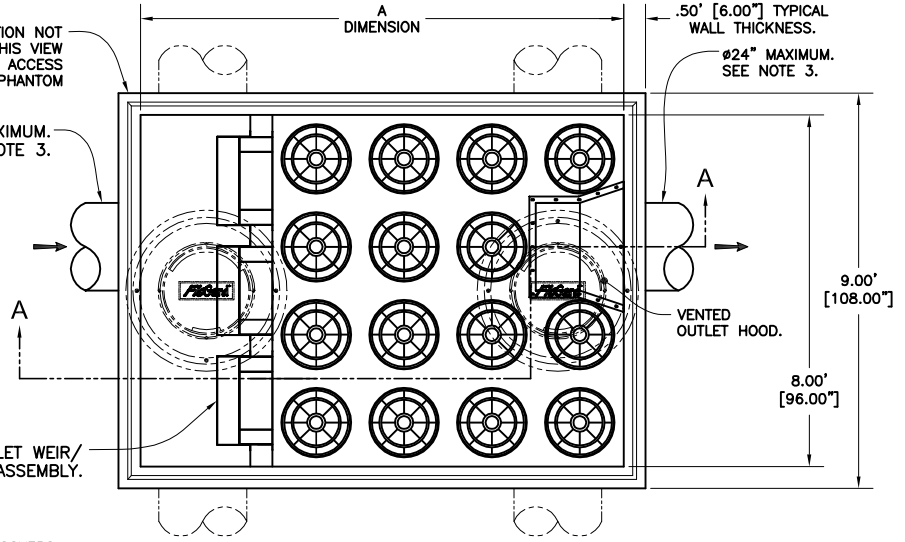
7921 Southpark Plaza, Suite 200 | Littleton, CO | 80120 | Ph: 800.579.8819 | oldcastlestormwater.com  
 THIS DOCUMENT IS THE PROPERTY OF OLDCASTLE PRECAST, INC. IT IS SUBMITTED FOR REFERENCE PURPOSES ONLY AND SHALL NOT BE USED IN ANY WAY INJURIOUS TO THE INTERESTS OF SAID COMPANY. COPYRIGHT © 2010 OLDCASTLE PRECAST, INC. ALL RIGHTS RESERVED.

DRAWING NO. PF-V-8-WA-0001	REV E	ECO ECO-0122 JPR 10/3/14	DATE JPR 3/2/11	SHEET 1 OF 2
-------------------------------	----------	--------------------------------	--------------------	--------------



TOP SECTION NOT SHOWN IN THIS VIEW FOR CLARITY. ACCESS COVERS SHOWN IN PHANTOM

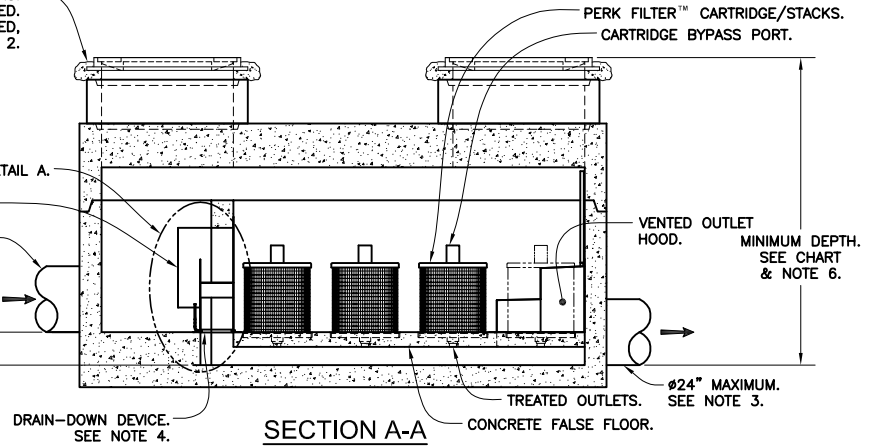
Ø24" MAXIMUM. SEE NOTE 3.



2X Ø36.00" BOLTED & GASKETED ACCESS COVERS. RISERS & SLAB T&G IMPRESSIONS AS REQUIRED. FIELD POURED CONCRETE COLLAR REQUIRED, BY OTHERS. SEE NOTE 2.

PERK FILTER™ CARTRIDGE/STACKS. CARTRIDGE BYPASS PORT.

SEE DETAIL A.  
3X INLET WEIR/BYPASS ASSEMBLY. Ø24" MAXIMUM. SEE NOTE 3.



## Washington GULD\*

### MINIMUM DEPTH - RIM TO OUTLET INVERT -

CARTRIDGE STACK CONFIGURATION			
12"	18"	12" + 12"	12" + 18"
4.25'	5.00'	5.92'	6.67'
[51.00"]	[60.00"]	[71.00"]	[80.00"]

8' VAULT TREATMENT FLOW RATES, TOTAL FLOW CAPACITIES & MAXIMUM HEAD LOSS									
CARTRIDGE STACK QUANTITY	A DIMENSION - LENGTH - (ID-FEET)	CARTRIDGE STACK CONFIGURATION							
		12"		18"		12" & 12"		12" & 18"	
		TREATMENT FLOW RATE (GPM / CFS)	TOTAL FLOW CAPACITY (CFS)	TREATMENT FLOW RATE (GPM / CFS)	TOTAL FLOW CAPACITY (CFS)	TREATMENT FLOW RATE (GPM / CFS)	TOTAL FLOW CAPACITY (CFS)	TREATMENT FLOW RATE (GPM / CFS)	TOTAL FLOW CAPACITY (CFS)
6	7	40.8 / 0.091	8.6	61.2 / 0.136	12.7	81.6 / 0.182	14.5	102.0 / 0.227	19.3
7	7	47.6 / 0.106	8.6	71.4 / 0.159	12.8	95.2 / 0.212	14.5	119.0 / 0.265	19.4
8	9	54.4 / 0.121	8.6	81.6 / 0.182	12.8	108.8 / 0.243	14.6	136.0 / 0.303	19.5
9	9	61.2 / 0.136	8.6	91.8 / 0.205	12.8	122.4 / 0.273	14.6	153.0 / 0.341	19.5
10	9	68.0 / 0.152	8.7	102.0 / 0.227	12.9	136.0 / 0.303	14.7	170.0 / 0.379	19.6
11	9	74.8 / 0.167	8.7	112.2 / 0.250	12.9	149.6 / 0.334	14.7	187.0 / 0.417	19.7
12	11	81.6 / 0.182	8.7	122.4 / 0.273	12.9	163.2 / 0.364	14.7	204.0 / 0.455	19.7
13	11	88.4 / 0.197	8.8	132.6 / 0.296	13.0	176.8 / 0.394	14.8	221.0 / 0.493	19.8
14	11	95.2 / 0.212	8.8	142.8 / 0.318	13.0	190.4 / 0.425	14.9	238.0 / 0.531	19.9
15	11	102.0 / 0.227	8.8	153.0 / 0.341	13.1	204.0 / 0.455	15.0	255.0 / 0.569	19.9
16	13	108.8 / 0.243	8.8	163.2 / 0.364	13.1	217.6 / 0.485	15.0	272.0 / 0.607	20.0
17	13	115.6 / 0.258	8.9	173.4 / 0.387	13.2	231.2 / 0.516	15.1	289.0 / 0.644	20.1
18	13	122.4 / 0.273	8.9	183.6 / 0.409	13.2	244.8 / 0.546	15.1	306.0 / 0.682	20.1
19	13	129.2 / 0.288	8.9	193.8 / 0.432	13.2	258.4 / 0.576	15.2	323.0 / 0.720	20.2
20	15	136.0 / 0.303	8.9	204.0 / 0.455	13.3	272.0 / 0.607	15.2	340.0 / 0.758	20.3
21	15	142.8 / 0.318	9.0	214.2 / 0.478	13.3	285.6 / 0.637	15.3	357.0 / 0.796	20.3
22	15	149.6 / 0.334	9.0	224.4 / 0.500	13.4	299.2 / 0.667	15.3	374.0 / 0.834	20.4
23	15	156.4 / 0.349	9.0	234.6 / 0.523	13.4	312.8 / 0.698	15.4	391.0 / 0.872	20.5
24	18	163.2 / 0.364	9.0	244.8 / 0.546	13.4	326.4 / 0.728	15.4	408.0 / 0.910	20.5
25	18	170.0 / 0.379	9.1	255.0 / 0.569	13.5	340.0 / 0.758	15.5	425.0 / 0.948	20.6
26	18	176.8 / 0.394	9.1	265.2 / 0.591	13.5	353.6 / 0.789	15.5	442.0 / 0.986	20.7
27	18	183.6 / 0.409	9.1	275.4 / 0.614	13.6	367.2 / 0.819	15.6	459.0 / 1.024	20.7
28	18	190.4 / 0.425	9.2	285.6 / 0.637	13.6	380.8 / 0.849	15.6	476.0 / 1.061	20.8
29	18	197.2 / 0.440	9.2	295.8 / 0.660	13.6	394.4 / 0.880	15.7	493.0 / 1.099	20.9
30	18	204.0 / 0.455	9.2	306.0 / 0.682	13.7	408.0 / 0.910	15.8	510.0 / 1.137	20.9
31	18	210.8 / 0.470	9.2	316.2 / 0.705	13.7	421.6 / 0.940	15.8	527.0 / 1.175	21.0
MAXIMUM HEAD LOSS		1.7 FEET		2.3 FEET		2.9 FEET		3.5 FEET	

\* Treatment Flow Rates shown conform to Washington State GULD Specifications.



Media Filtration

**Perk Filter™**  
8' Wide Concrete Vault  
Washington State GULD  
Six to Thirty One Cartridges / Stacks



**Oldcastle®**  
Stormwater Solutions

7921 Southpark Plaza, Suite 200 | Littleton, CO | 80120 | Ph: 800.579.8819 | oldcastlestormwater.com

THIS DOCUMENT IS THE PROPERTY OF OLDCASTLE PRECAST, INC. IT IS SUBMITTED FOR REFERENCE PURPOSES ONLY AND SHALL NOT BE USED IN ANY WAY INJURIOUS TO THE INTERESTS OF SAID COMPANY. COPYRIGHT © 2010 OLDCASTLE PRECAST, INC. ALL RIGHTS RESERVED.

DRAWING NO. PF-V-8-WA-0001	REV E	ECO ECO-0122 JPR 10/3/14	DATE JPR 3/2/11	SHEET 2 OF 2
-------------------------------	----------	--------------------------------	--------------------	--------------