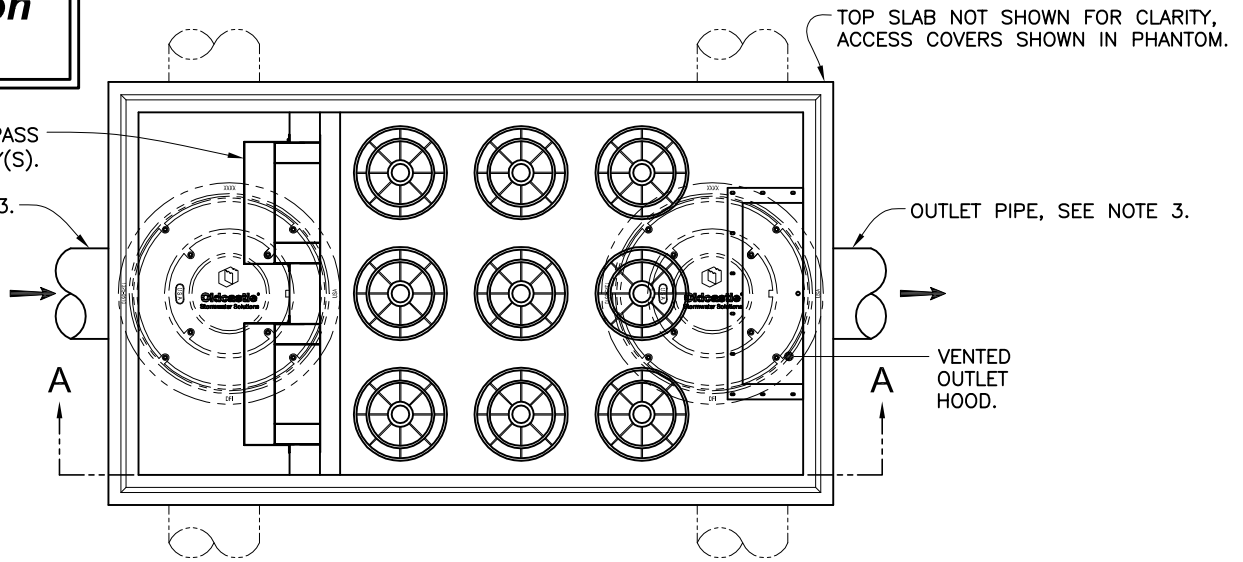
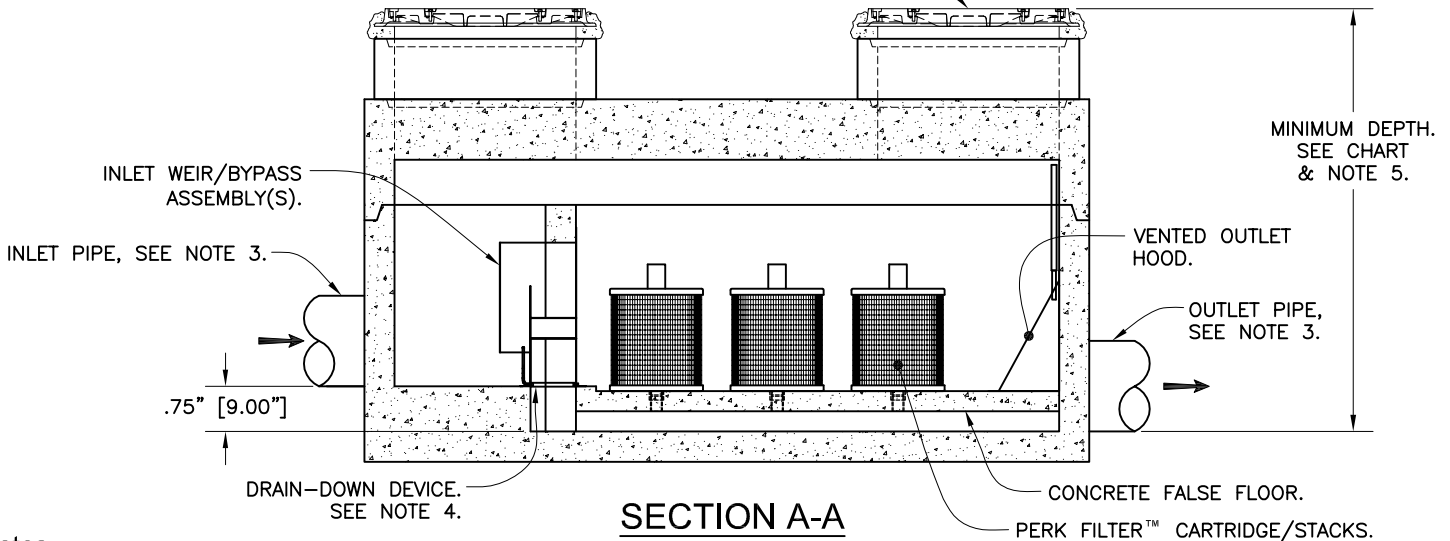


**Washington
GULD***



2X Ø36.00" BOLTED & GASKETED ACCESS COVERS.
RISERS & SLAB T&G IMPRESSIONS AS REQUIRED.
FIELD POURED CONCRETE COLLAR REQUIRED, BY OTHERS.
SEE NOTE 2.



SECTION A-A

Notes:

1. Precast concrete structure shall be manufactured in accordance with ASTM Designation C857 and C858.
2. Filter system shall be supplied with traffic rated (H20) bolted & gasketed Ø36" circular access covers with risers as required. Shallow applications may require configurations with (H20) bolted & gasketed square/rectangular access hatches. Field poured concrete collars required, by others.
3. Inlet & outlet pipe(s) may enter device on all three sides of the inlet & outlet chambers. See chart for maximum pipe size.
4. Inlet chamber shall be supplied with a drain-down device designed to remove standing water between storm events.
5. For depths less than specified minimums contact Oldcastle® Stormwater Solutions for engineering assistance.

*** Treatment Flow Rates shown conform to Washington State GULD Specifications**



Media
Filtration

Perck Filter™ Vault
Pacific Northwest Sizing
Washington State GULD
One to Twenty Nine Cartridges / Stacks



Oldcastle®
Stormwater Solutions

7921 Southpark Plaza, Suite 200 | Littleton, CO | 80120 | Ph: 800.579.8819 | oldcastlestormwater.com
THIS DOCUMENT IS THE PROPERTY OF OLDCASTLE PRECAST, INC. IT IS SUBMITTED FOR REFERENCE PURPOSES ONLY AND SHALL NOT BE USED IN ANY WAY INJURIOUS TO THE INTERESTS OF SAID COMPANY. COPYRIGHT © 2010 OLDCASTLE PRECAST, INC. ALL RIGHTS RESERVED.

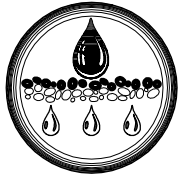
DRAWING NO. PFV-PNW-W-0001	REV NR	ECO NEW	ECO-0138 11/16/15	DATE JPR 11/16/15	SHEET 1 OF 2
-------------------------------	-----------	------------	----------------------	----------------------	--------------

Washington GULD*

MINIMUM DEPTH - RIM TO OUTLET INVERT -			
CARTRIDGE STACK CONFIGURATION			
12"	18"	12" + 12"	12" + 18"
4.08' [49.00"]	4.83' [58.00"]	5.75' [69.00"]	6.50' [78.00"]

Treatment Flow Rates & Total Flow Capacities																		
VAULT SIZE ID (Nominal)	MAXIMUM PIPE SIZE	Cartridge / Stack Quantity	CARTRIDGE SIZE & STACK CONFIGURATION															
			12"		18"		12" + 12"		12" + 18"									
			TREATMENT FLOW RATE (GPM / CFS)	TOTAL FLOW CAPACITY (CFS)	TREATMENT FLOW RATE (GPM/CFS)	TOTAL FLOW CAPACITY (CFS)	TREATMENT FLOW RATE (GPM/CFS)	TOTAL FLOW CAPACITY (CFS)	TREATMENT FLOW RATE (GPM/CFS)	TOTAL FLOW CAPACITY (CFS)								
4.0' X 6.5'	Ø18"	1	6.8	0.015	2.8	10.2	0.023	4.2	13.6	0.030	4.7	17.0	0.038	6.3				
		2	13.6	0.030	2.8	20.4	0.045	4.2	27.2	0.061	4.7	34.0	0.076	6.3				
		3	20.4	0.045	2.8	30.6	0.068	4.2	40.8	0.091	4.8	51.0	0.114	6.3				
5.0' X 10.5'	Ø18"	4	27.2	0.061	2.9	40.8	0.091	4.2	54.4	0.121	4.8	68.0	0.152	6.4				
		5	34.0	0.076	2.9	51.0	0.114	4.2	68.0	0.152	4.8	85.0	0.190	6.4				
		6	40.8	0.091	2.9	61.2	0.136	4.3	81.6	0.182	4.9	102.0	0.227	6.4				
		7	47.6	0.106	2.9	71.4	0.159	4.3	95.2	0.212	4.9	119.0	0.265	6.5				
6.0' X 12.0'	Ø24"	8	54.4	0.121	2.9	81.6	0.182	4.3	108.8	0.243	4.9	136.0	0.303	6.5				
		9	61.2	0.136	5.7	91.8	0.205	8.5	122.4	0.273	9.6	153.0	0.341	12.8				
		10	68.0	0.152	5.8	102.0	0.227	8.5	136.0	0.303	9.6	170.0	0.379	12.8				
		11	74.8	0.167	5.8	112.2	0.250	8.5	149.6	0.334	9.7	187.0	0.417	12.9				
8.0' X 16'	Ø24"	12	81.6	0.182	5.8	122.4	0.273	8.5	163.2	0.364	9.7	204.0	0.455	12.9				
		13	88.4	0.197	8.6	132.6	0.296	12.7	176.8	0.394	14.4	221.0	0.493	19.2				
		14	95.2	0.212	8.6	142.8	0.318	12.7	190.4	0.425	14.4	238.0	0.531	19.2				
		15	102.0	0.227	8.6	153.0	0.341	12.7	204.0	0.455	14.5	255.0	0.569	19.2				
		16	108.8	0.243	8.6	163.2	0.364	12.8	217.6	0.485	14.5	272.0	0.607	19.3				
		17	115.6	0.258	8.6	173.4	0.387	12.8	231.2	0.516	14.5	289.0	0.644	19.3				
		18	122.4	0.273	8.7	183.6	0.409	12.8	244.8	0.546	14.6	306.0	0.682	19.3				
		19	129.2	0.288	8.7	193.8	0.432	12.8	258.4	0.576	14.6	323.0	0.720	19.4				
		20	136.0	0.303	8.7	204.0	0.455	12.8	272.0	0.607	14.6	340.0	0.758	19.4				
		21	142.8	0.318	8.7	214.2	0.478	12.9	285.6	0.637	14.6	357.0	0.796	19.5				
		22	149.6	0.334	8.7	224.4	0.500	12.9	299.2	0.667	14.7	374.0	0.834	19.5				
		23	156.4	0.349	8.7	234.6	0.523	12.9	312.8	0.698	14.7	391.0	0.872	19.5				
		24	163.2	0.364	8.8	244.8	0.546	12.9	326.4	0.728	14.7	408.0	0.910	19.6				
		25	170.0	0.379	8.8	255.0	0.569	13.0	340.0	0.758	14.8	425.0	0.948	19.6				
		26	176.8	0.394	8.8	265.2	0.591	13.0	353.6	0.789	14.8	442.0	0.986	19.6				
		27	183.6	0.409	8.8	275.4	0.614	13.0	367.2	0.819	14.8	459.0	1.024	19.7				
		28	190.4	0.425	8.8	285.6	0.637	13.0	380.8	0.849	14.9	476.0	1.061	19.7				
		29	197.2	0.440	8.8	295.8	0.660	13.0	394.4	0.880	14.9	493.0	1.099	19.8				
MAXIMUM HEAD LOSS			1.7 FEET				2.3 FEET				2.9 FEET				3.5 FEET			

*** Treatment Flow Rates shown conform to Washington State GULD Specifications**



Perk Filter™ Vault
 Pacific Northwest Sizing
 Washington State GULD
 One to Twenty Nine Cartridges / Stacks



Oldcastle®
 Stormwater Solutions

7921 Southpark Plaza, Suite 200 | Littleton, CO | 80120 | Ph: 800.579.8819 | oldcastlestormwater.com

THIS DOCUMENT IS THE PROPERTY OF OLDCASTLE PRECAST, INC. IT IS SUBMITTED FOR REFERENCE PURPOSES ONLY AND SHALL NOT BE USED IN ANY WAY INJURIOUS TO THE INTERESTS OF SAID COMPANY. COPYRIGHT © 2010 OLDCASTLE PRECAST, INC. ALL RIGHTS RESERVED.

DRAWING NO. PFV-PNW-W-0001	REV NR	ECO ECO-0138 NEW 11/16/15	DATE JPR 11/16/15	SHEET 2 OF 2
-------------------------------	-----------	---------------------------------	----------------------	--------------