

17" X 30" COMPLETE CONCRETE BOX ASSEMBLIES

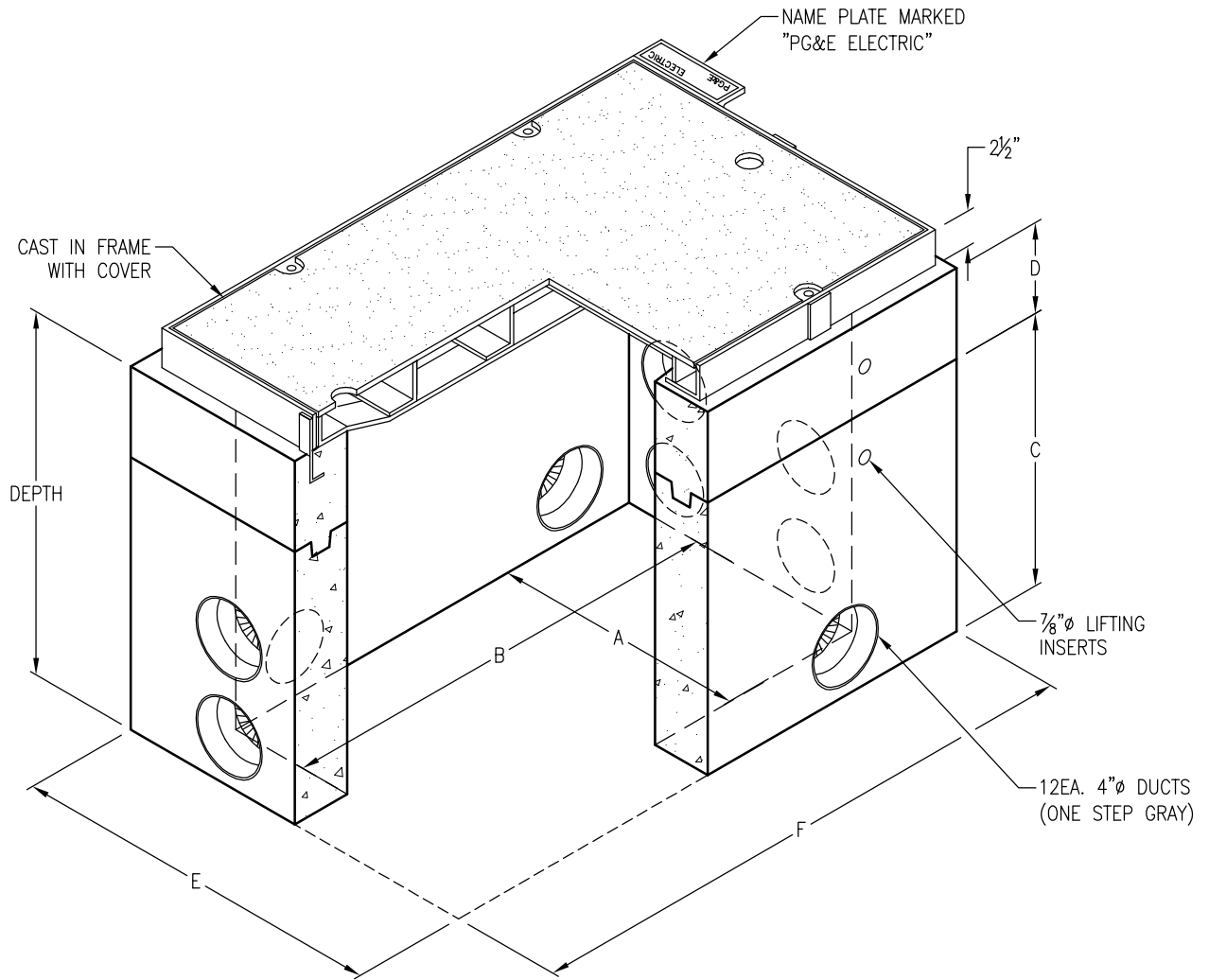
TYPE	DEPTH	CODE	WEIGHT
FULL VEHICULAR AND PEDESTRIAN TRAFFIC (SLIP RESISTANT)	2'-0"	01-9588	1,056 LBS.
	2'-6"	01-9597	1,256 LBS.

REPLACEMENT PARTS FOR 17" X 30"

CODE	DESCRIPTION	WEIGHT
04-3514	BODY, 18" DEPTH	700 LBS.
04-3415	TOP SECTION, 6"	260 LBS.
04-3523	TOP SECTION, 12"	470 LBS.
01-7962	COVER, STEEL SLIP RESISTANT	114 LBS.
04-3517	* EXTENSION, 6"	235 LBS.
19-2832	1/2" $\phi$ PENTHEAD BOLT	---

GENERAL NOTES:

- EXTENSION NOT SHOWN IS SIMILAR TO TOP SECTION WITH GROOVE ON TOP IN LIEU OF FRAME.
- SPECIAL 12" EXTENSIONS ARE AVAILABLE UPON REQUEST



TYPE	A	B	C	D	E	F
17" X 30" X 2'-0"	17"	30"	18"	6"	25"	38"
17" X 30" X 2'-6"	17"	30"	18"	12"	25"	38"

DRAWING MAY NOT CONFORM TO THE MOST CURRENT SPECIFICATION



**Oldcastle Precast**

Northern California

Madera ■ Morgan Hill ■ Pleasanton ■ Santa Rosa ■ Stockton ■ Tulare  
Phone: 925-750-6650 Fax: 925-750-6660

PG&E 1730

FILE NAME: PGE-1.DWG

REVISED: MARCH 2016

[www.oldcastleprecast.com](http://www.oldcastleprecast.com)

17" X 30" X VARIES (I.D.)  
UTILITY VAULT  
PG&E

Copyright © 2016 Oldcastle Precast, Inc.