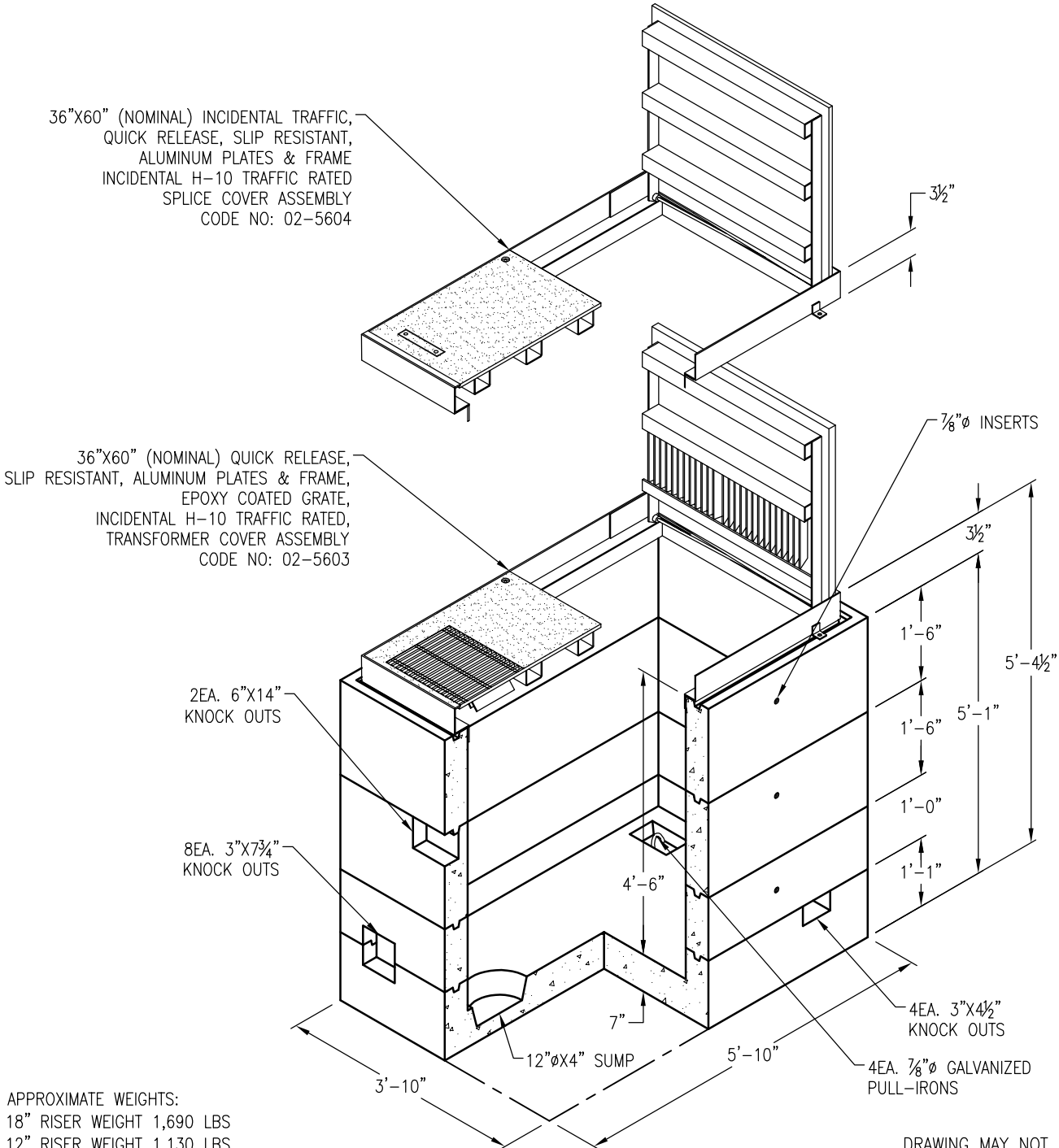


3'-0" X 5'-0" X 4'-6" INTERCEPT
 INCIDENTAL H-10 SPLICE ENCLOSURE
 ASSEMBLY CODE NO: 04-1630

3'-0" X 5'-0" X 4'-6" INTERCEPT
 INCIDENTAL H-10 TRANSFORMER ENCLOSURE
 ASSEMBLY CODE NO: 04-0585

CODE	ITEM	DIMENSIONS (INSIDE)	WEIGHT
04-0585	TRANSFORMER ENCLOSURE ASSEMBLY	3'-0" X 5'-0" X 4'-6"	7,070 LBS.
04-0582	13" BOTTOM SECTION	3'-0" X 5'-0" X 0'-6"	2,560 LBS.
04-0580	12" PRIMARY RISER SECTION	3'-0" X 5'-0" X 1'-0"	1,130 LBS.
01-0579	18" SECONDARY RISER SECTION	3'-0" X 5'-0" X 1'-6"	1,690 LBS.
04-0578	18" RISER EXTENSION	3'-0" X 5'-0" X 1'-6"	1,690 LBS.
02-5603	TRANSFORMER COVER	3'-0" X 5'-0"	---
02-5604	SPLICE COVER	3'-0" X 5'-0"	---



APPROXIMATE WEIGHTS:
 18" RISER WEIGHT 1,690 LBS
 12" RISER WEIGHT 1,130 LBS
 BASE WEIGHT 2,560 LBS

DRAWING MAY NOT CONFORM TO THE
 MOST CURRENT SPECIFICATION