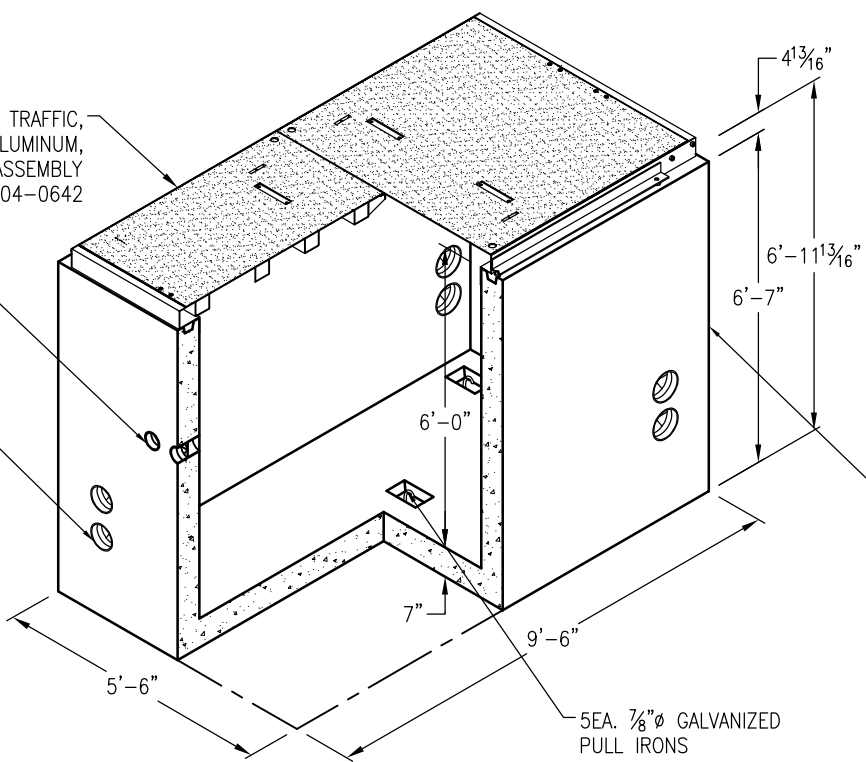


4'-6" X 8'-6" X 6'-0"
 INCIDENTAL H-10 SPLICE ENCLOSURE
 CODE NO: 04-3411
 APPROXIMATE WEIGHTS:
 WITHOUT COVER 17,630 LBS

54"x102" (NOMINAL) INCIDENTAL TRAFFIC,
 QUICK RELEASE, SLIP RESISTANT, ALUMINUM,
 SPLICE COVER ASSEMBLY
 CODE NO: 04-0642

3EA. 3"Ø DUCTS

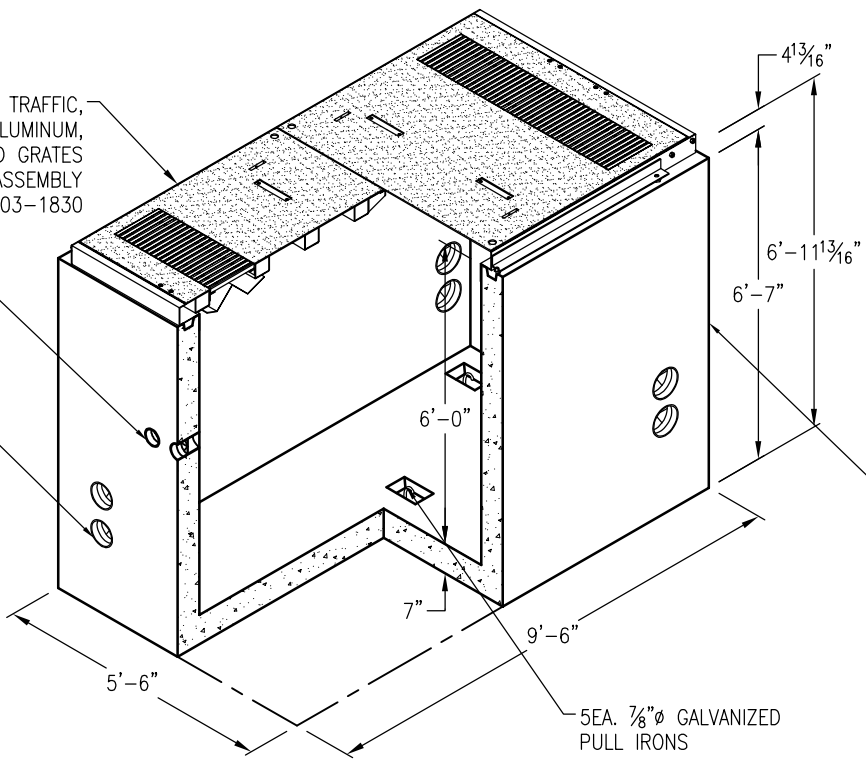
16EA. 6"Ø DUCTS
 7EA. 5"Ø DUCTS



54"x102" (NOMINAL) INCIDENTAL TRAFFIC,
 QUICK RELEASE, SLIP RESISTANT, ALUMINUM,
 EPOXY COATED GRATES
 TRANSFORMER COVER ASSEMBLY
 CODE NO: 03-1830

3EA. 3"Ø DUCTS

16EA. 6"Ø DUCTS
 7EA. 5"Ø DUCTS



4'-6" X 8'-6" X 6'-0"
 INCIDENTAL H-10 TRANSFORMER ENCLOSURE
 CODE NO: 04-3371
 APPROXIMATE WEIGHTS:
 WITHOUT COVER 17,630 LBS

DRAWING MAY NOT CONFORM TO THE
 MOST CURRENT SPECIFICATION

Oldcastle Precast[®]

Northern California
 Madera ■ Morgan Hill ■ Pleasanton ■ Santa Rosa ■ Stockton ■ Tulare
 Phone: 925-750-6650 Fax: 925-750-6660

PG&E 4686I
FILE NAME: PGE-14.DWG
REVISED: MARCH 2016
www.oldcastleprecast.com

4'-6" X 8'-6" X 6'-0" (I.D.)
 4686 INCIDENTAL ENCLOSURE
 PG&E

Copyright © 2016 Oldcastle Precast, Inc.