

54"x102" (NOMINAL) FULL TRAFFIC,
TRANSFORMER TOP SLAB ASSEMBLY
CODE NO: 04-1442

3EA. 3"Ø DUCTS

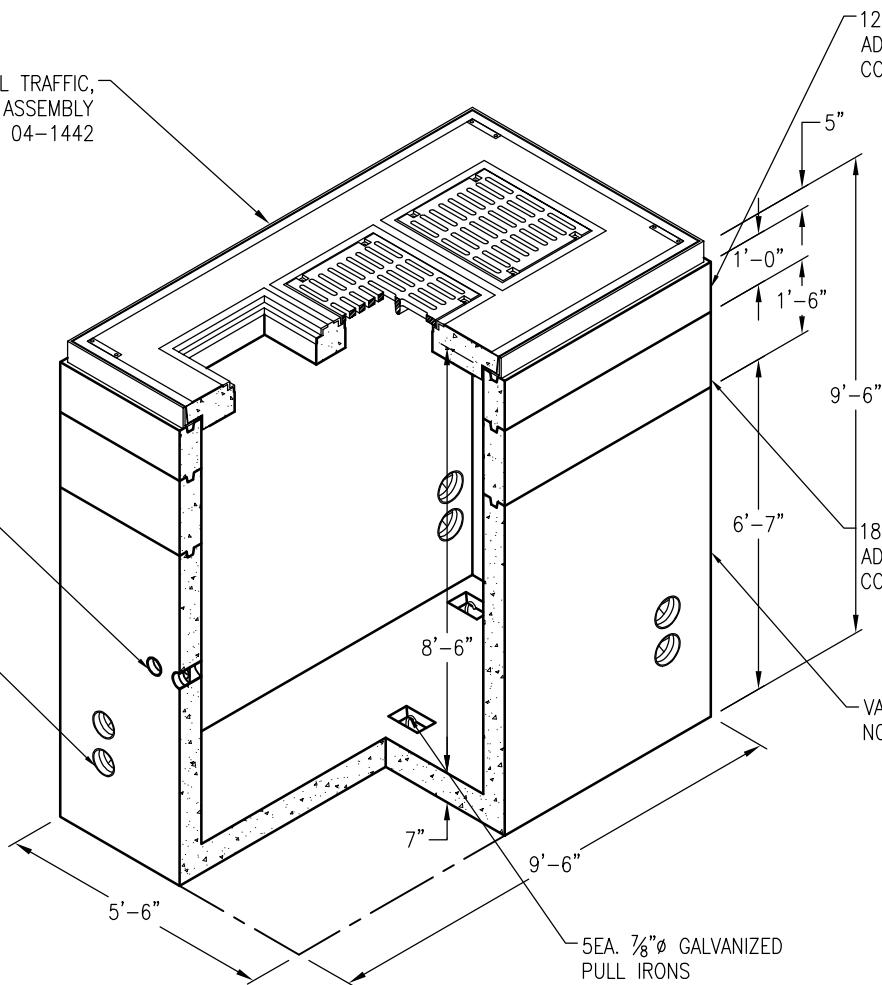
16EA. 6"Ø DUCTS
7EA. 5"Ø DUCTS

12" EXTENSION
ADDED PER PG&E SPECS
CODE NO: 04-3415

18" EXTENSION
ADDED PER PG&E SPECS
CODE NO: 04-3377

VAULT CODE
NO: 04-3376

5EA. 7/8"Ø GALVANIZED
PULL IRONS



4'-6" X 8'-6" X 7'-6"
HEAVY FULL TRAFFIC H-20 TRANSFORMER ENCLOSURE
CODE NO: 04-0324
APPROXIMATE WEIGHTS:
WITHOUT COVER 23,020 LBS

DRAWING MAY NOT CONFORM TO THE
MOST CURRENT SPECIFICATION



Oldcastle Precast[®]

Northern California
Madera ■ Morgan Hill ■ Pleasanton ■ Santa Rosa ■ Stockton ■ Tulare
Phone: 925-750-6650 Fax: 925-750-6660

PG&E 4686HFT
FILE NAME: PGE-18.DWG
REVISED: MARCH 2016
www.oldcastleprecast.com

4'-6" X 8'-6" X 8'-6" (I.D.)
4686 TRAFFIC ENCLOSURE
PG&E

Copyright © 2016 **Oldcastle** Precast, Inc.