

24" X 36" COMPLETE CONCRETE BOX ASSEMBLIES

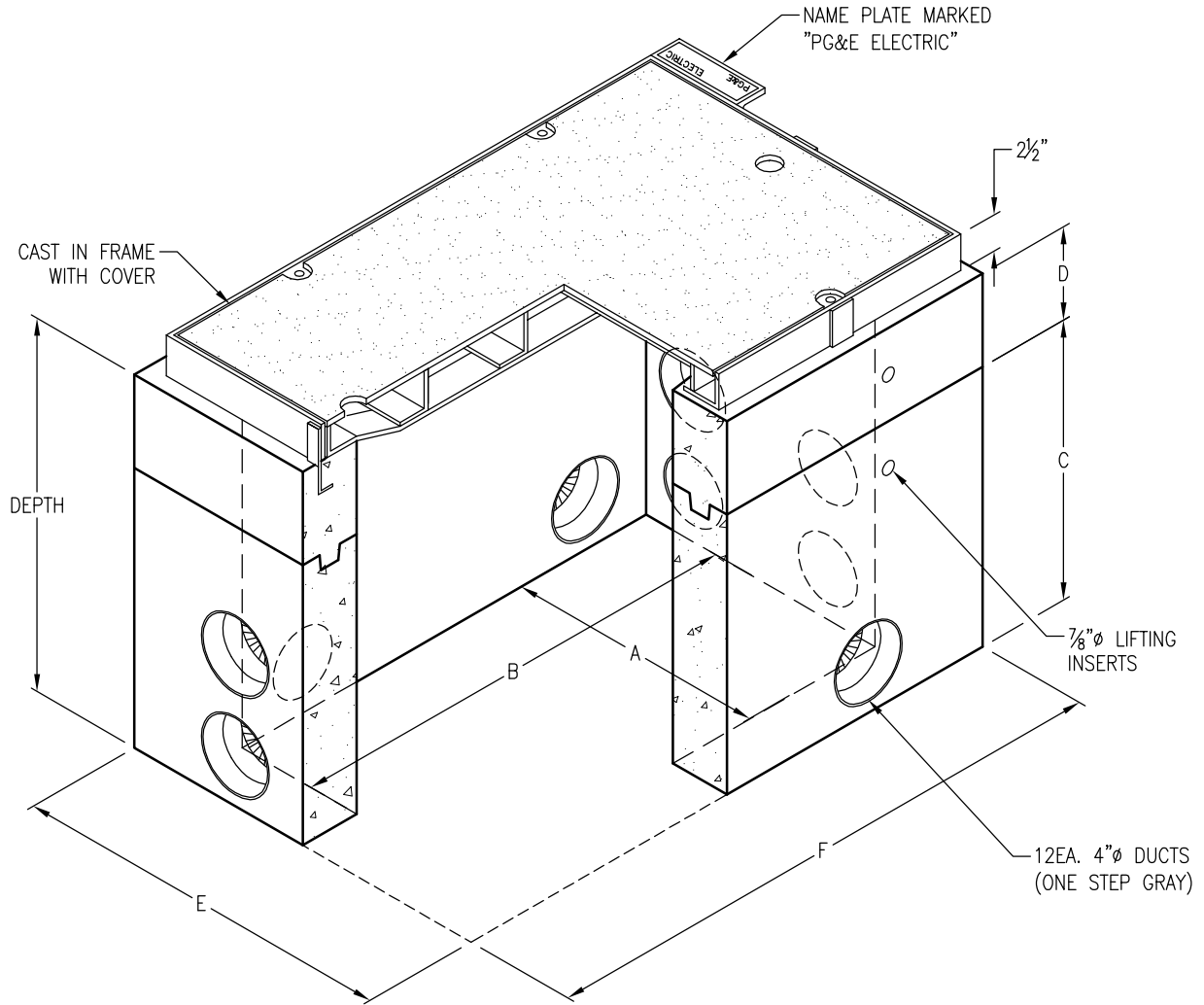
REPLACEMENT PARTS FOR 24" X 36"

TYPE	DEPTH	CODE	WEIGHT
FULL VEHICULAR AND PEDESTRIAN TRAFFIC (SLIP RESISTANT)	2'-6"	01-9598	1,653 LBS.
	3'-0"	01-9599	1,903 LBS.

CODE	DESCRIPTION	WEIGHT
04-3518	BODY, 24" DEPTH	1,232 LBS.
04-3419	TOP SECTION, 6"	333 LBS.
04-3524	TOP SECTION, 12"	616 LBS.
01-7963	COVER, STEEL SLIP RESISTANT	114 LBS.
04-3521	* EXTENSION, 6"	308 LBS.
19-2832	1/2" ϕ PENTHEAD BOLT	---

GENERAL NOTES:

- EXTENSION NOT SHOWN IS SIMILAR TO TOP SECTION WITH GROOVE ON TOP IN LIEU OF FRAME.
- SPECIAL 12" EXTENSIONS ARE AVAILABLE UPON REQUEST



TYPE	A	B	C	D	E	F
24" X 36" X 2'-6"	24"	36"	24"	6"	32"	45"
24" X 36" X 3'-0"	24"	36"	24"	12"	32"	45"

DRAWING MAY NOT CONFORM TO THE MOST CURRENT SPECIFICATION

Oldcastle Precast[®]
Northern California
Madera ■ Morgan Hill ■ Pleasanton ■ Santa Rosa ■ Stockton ■ Tulare
Phone: 925-750-6650 Fax: 925-750-6660

PG&E 2436
FILE NAME: PGE-2.DWG
REVISED: MARCH 2016
www.oldcastleprecast.com

**24" X 36" X VARIES (I.D.)
UTILITY VAULT
PG&E**
Copyright © 2016 Oldcastle Precast, Inc.