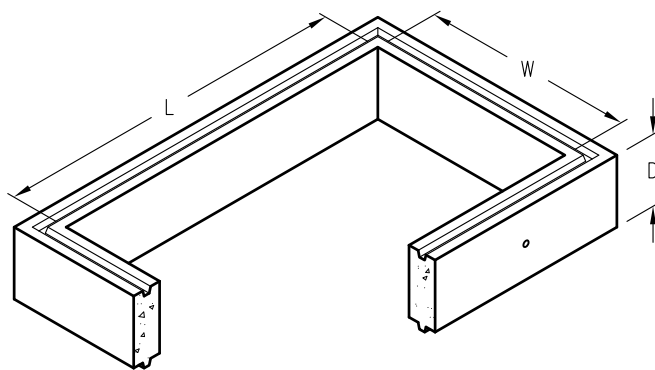
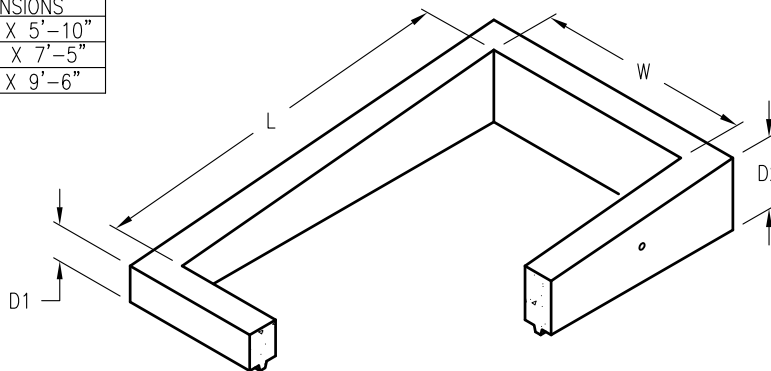


CODE	W	L	D	WEIGHT	OUTSIDE DIMENSIONS
04-3197	3'-0"	5'-0"	0'-6"	564 LBS	3'-10" X 5'-10"
04-3362	3'-0"	5'-0"	1'-0"	1,126 LBS	3'-10" X 5'-10"
04-0578	3'-0"	5'-0"	1'-6"	1,690 LBS	3'-10" X 5'-10"
04-3531	3'-0"	5'-0"	2'-0"	2,257 LBS	3'-10" X 5'-10"
04-1569	4'-0"	6'-6"	0'-6"	885 LBS	5'-0" X 7'-6"
04-1570	4'-0"	6'-6"	1'-0"	1,171 LBS	5'-0" X 7'-6"
04-1574	4'-0"	6'-6"	1'-6"	2,656 LBS	5'-0" X 7'-6"
04-1094	4'-6"	8'-6"	0'-6"	1,078 LBS	5'-6" X 9'-6"
04-3415	4'-6"	8'-6"	1'-0"	2,156 LBS	5'-6" X 9'-6"
04-3377	4'-6"	8'-6"	1'-6"	3,234 LBS	5'-6" X 9'-6"



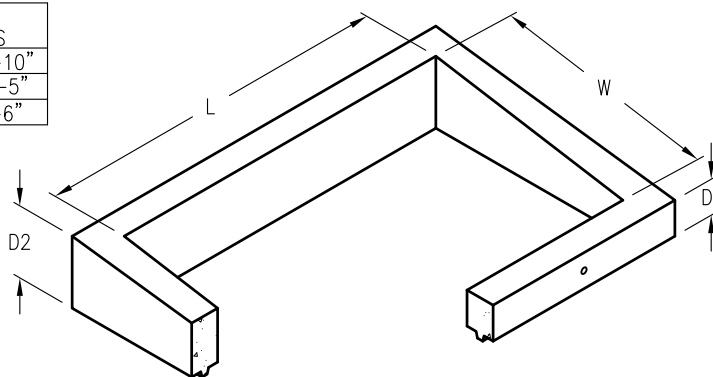
* = CUSTOMER TO SPECIFY DIMENSIONS

CODE	W	L	D1	D2	WEIGHT	OUTSIDE DIMENSIONS
---	3'-0"	5'-0"	*	*	VARIES	3'-10" X 5'-10"
---	4'-0"	6'-6"	*	*	VARIES	4'-11" X 7'-5"
---	4'-6"	8'-6"	*	*	VARIES	5'-6" X 9'-6"



* = CUSTOMER TO SPECIFY DIMENSIONS

CODE	W	L	D1	D2	WEIGHT	OUTSIDE DIMENSIONS
---	3'-0"	5'-0"	*	*	VARIES	3'-10" X 5'-10"
---	4'-0"	6'-6"	*	*	VARIES	4'-11" X 7'-5"
---	4'-6"	8'-6"	*	*	VARIES	5'-6" X 9'-6"



DRAWING MAY NOT CONFORM TO THE MOST CURRENT SPECIFICATION



Oldcastle Precast[®]
Northern California
Madera ■ Morgan Hill ■ Pleasanton ■ Santa Rosa ■ Stockton ■ Tulare
Phone: 925-750-6650 Fax: 925-750-6660

PG&E EXT.
FILE NAME: PGE-22.DWG
REVISED: MARCH 2016
www.oldcastleprecast.com

**VARIES (I.D.)
PG&E EXTENSIONS
PG&E**
Copyright © 2017 **Oldcastle** Precast, Inc.