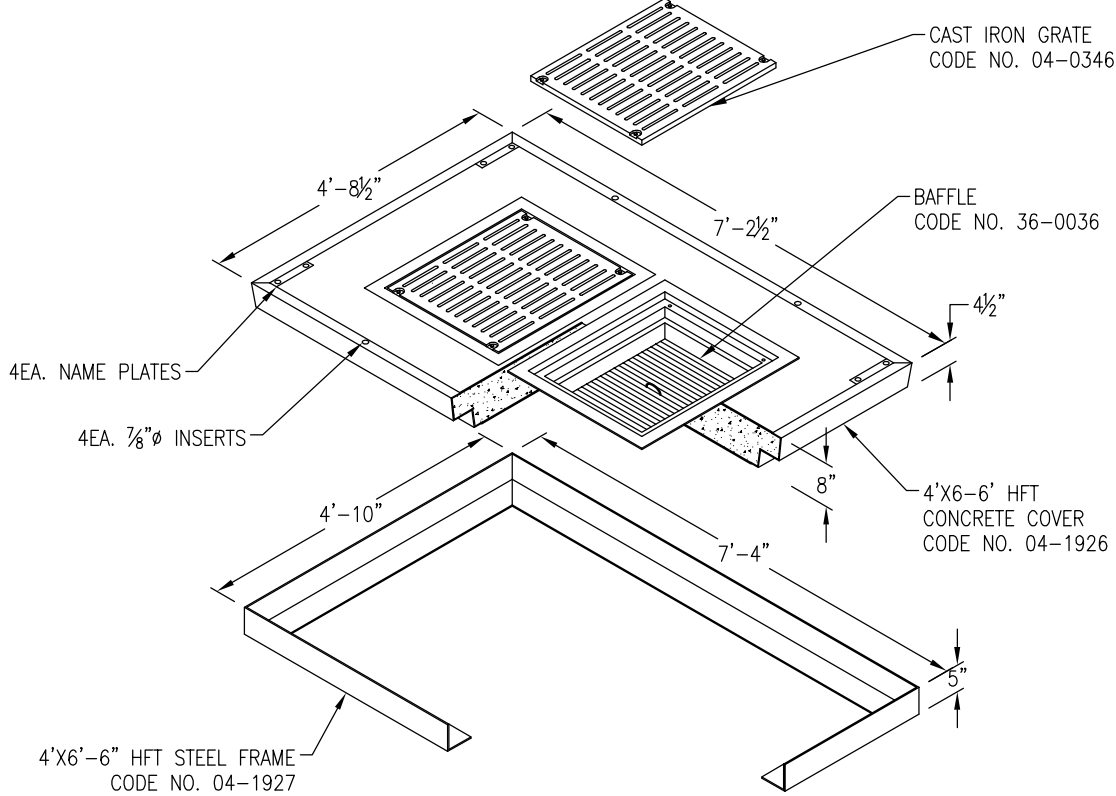
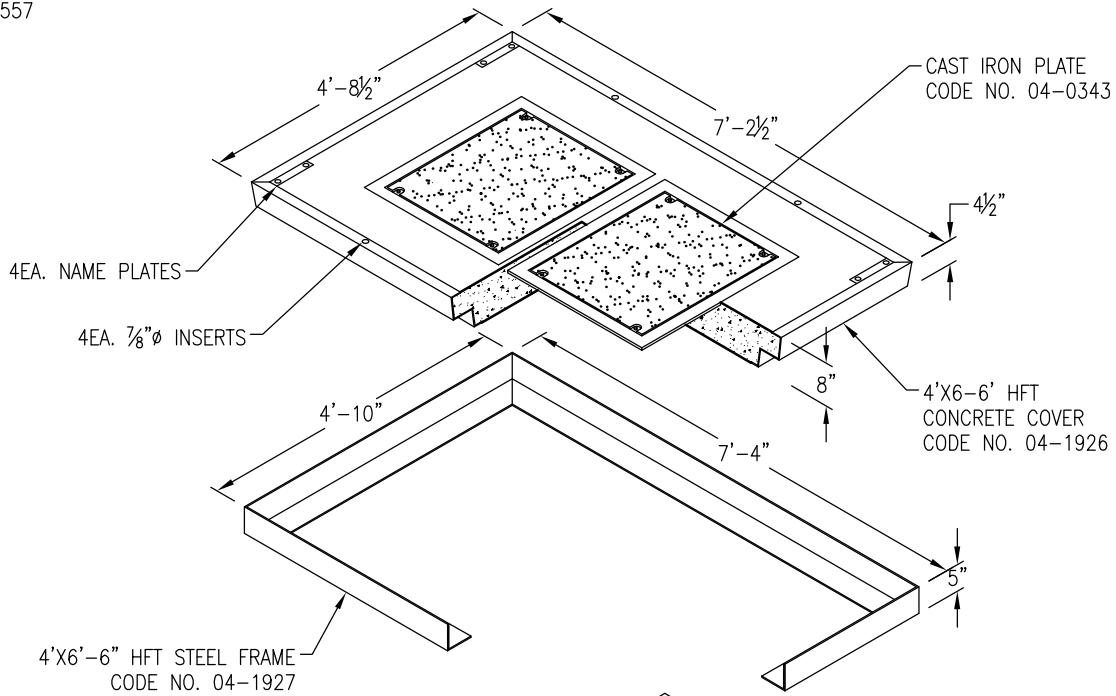


4'-0" X 6'-6" (NOMINAL)
 HEAVY FULL TRAFFIC H-20 SPLICE COVER
 CODE NO: 04-1557



4'-0" X 6'-6" (NOMINAL)
 HEAVY FULL TRAFFIC H-20 TRANSFORMER COVER
 CODE NO: 04-1541

DRAWING MAY NOT CONFORM TO THE
 MOST CURRENT SPECIFICATION