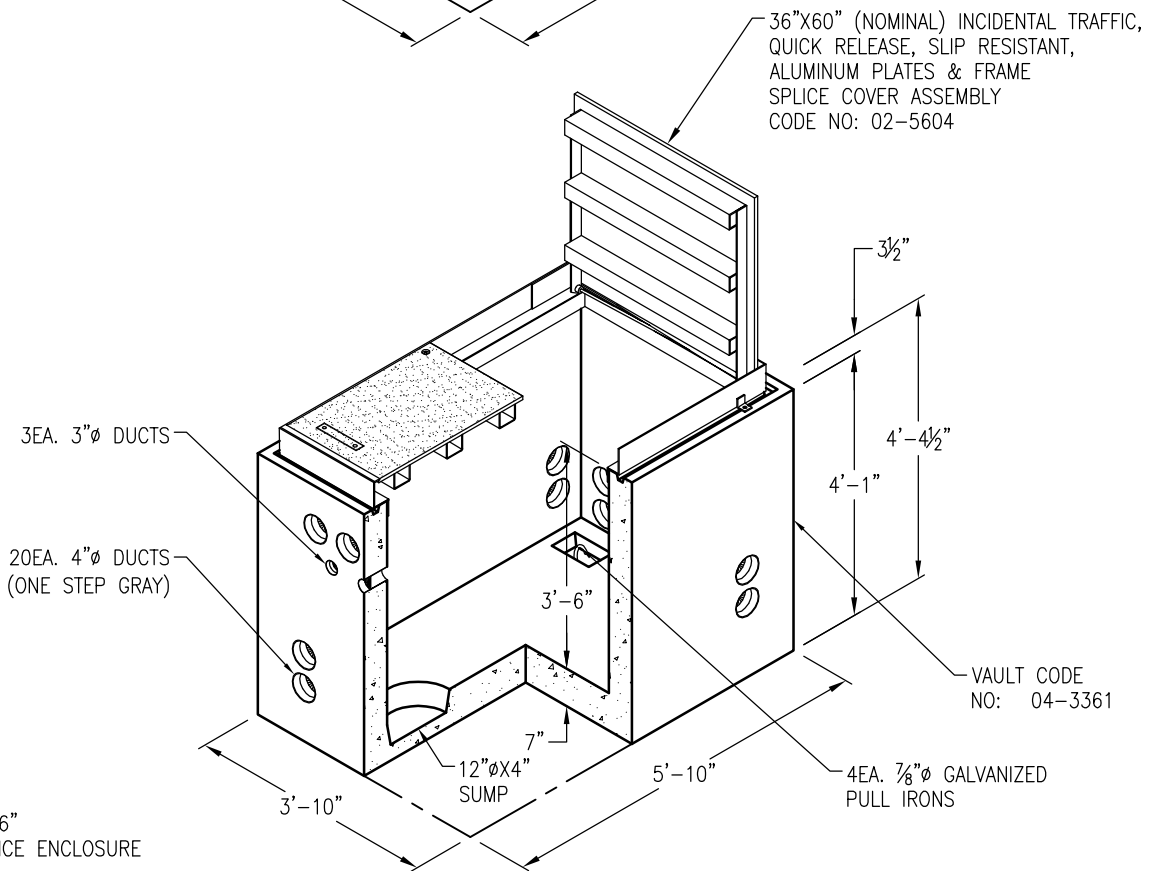
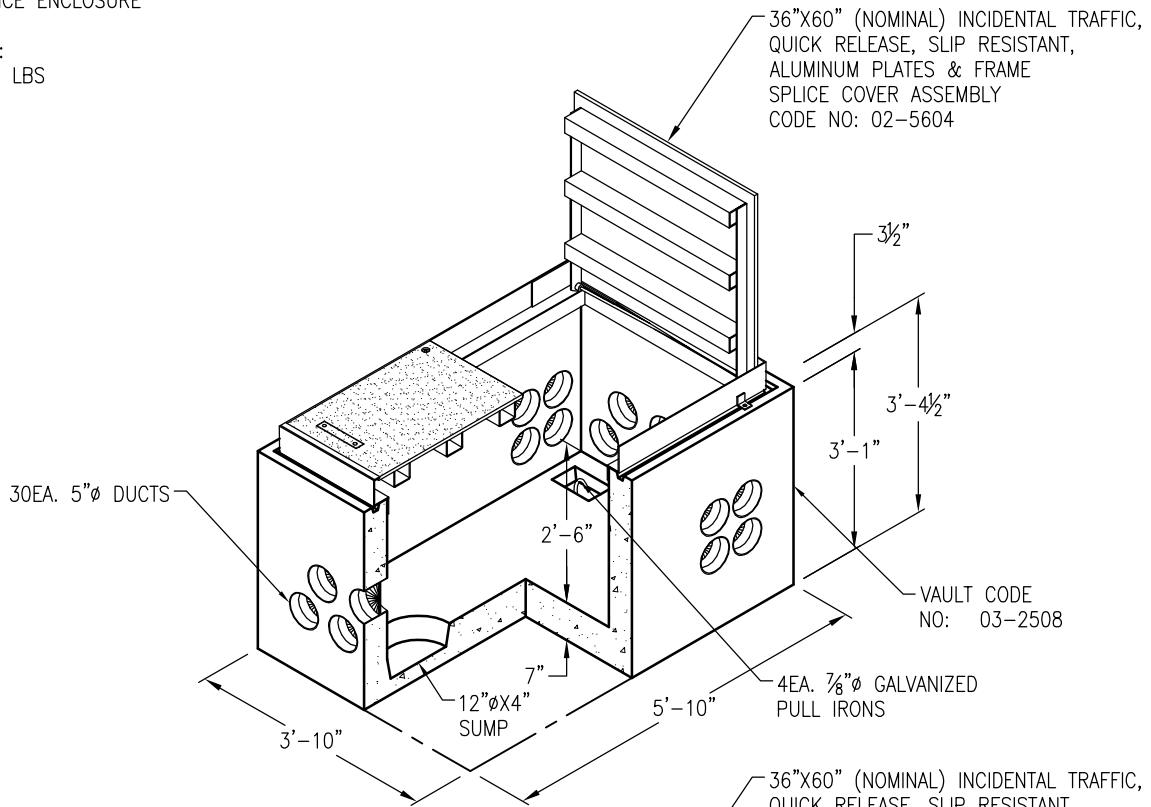


3'-0" X 5'-0" X 2'-6"  
 INCIDENTAL H-10 SPLICE ENCLOSURE  
 CODE NO: 03-2506  
 APPROXIMATE WEIGHTS:  
 WITHOUT COVER 4,830 LBS



3'-0" X 5'-0" X 3'-6"  
 INCIDENTAL H-10 SPLICE ENCLOSURE  
 CODE NO: 02-5601  
 APPROXIMATE WEIGHTS:  
 WITHOUT COVER 5,960 LBS

DRAWING MAY NOT CONFORM TO THE MOST CURRENT SPECIFICATION



**Oldcastle Precast**<sup>®</sup>

Northern California  
 Madera ■ Morgan Hill ■ Pleasanton ■ Santa Rosa ■ Stockton ■ Tulare  
 Phone: 925-750-6650 Fax: 925-750-6660

PG&E 352636
FILE NAME: PGE-4.DWG
REVISED: MARCH 2016
<a href="http://www.oldcastleprecast.com">www.oldcastleprecast.com</a>

3'-0" X 5'-0" X VARIES (I.D.)  
 35 INCIDENTAL ENCLOSURE  
 PG&E