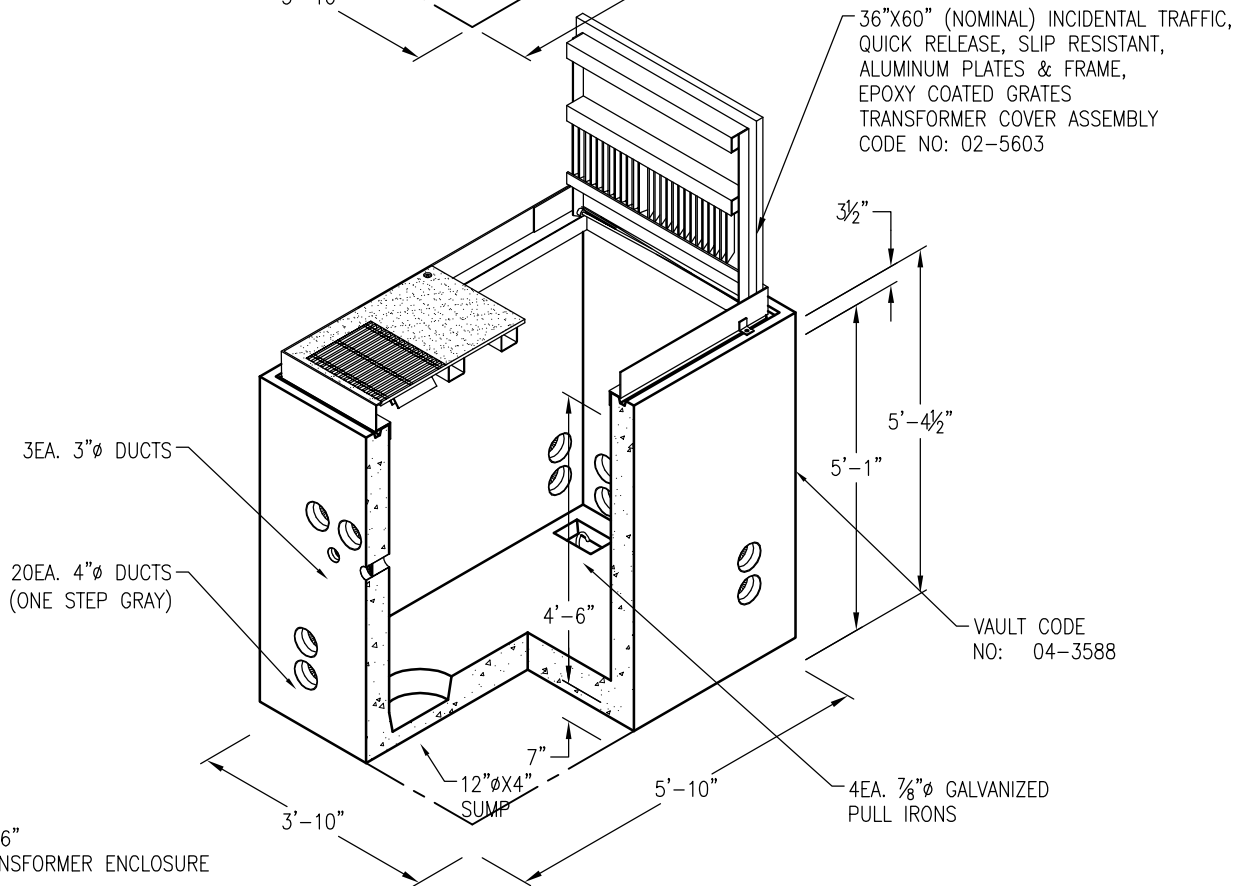
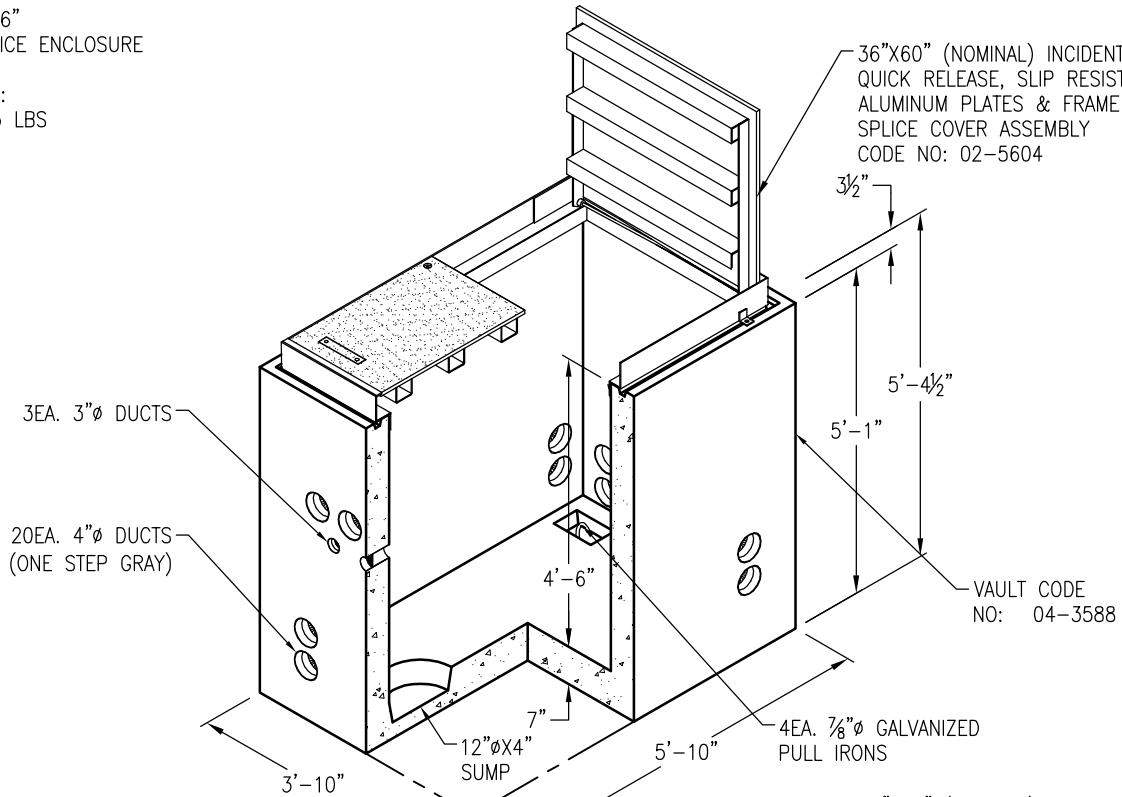


3'-0" X 5'-0" X 4'-6"  
 INCIDENTAL H-10 SPLICE ENCLOSURE  
 CODE NO: 04-0334  
 APPROXIMATE WEIGHTS:  
 WITHOUT COVER 7,085 LBS

PGE-7



3'-0" X 5'-0" X 4'-6"  
 INCIDENTAL H-10 TRANSFORMER ENCLOSURE  
 CODE NO: 02-5597  
 APPROXIMATE WEIGHTS:  
 WITHOUT COVER 7,085 LBS

DRAWING MAY NOT CONFORM TO THE MOST CURRENT SPECIFICATION