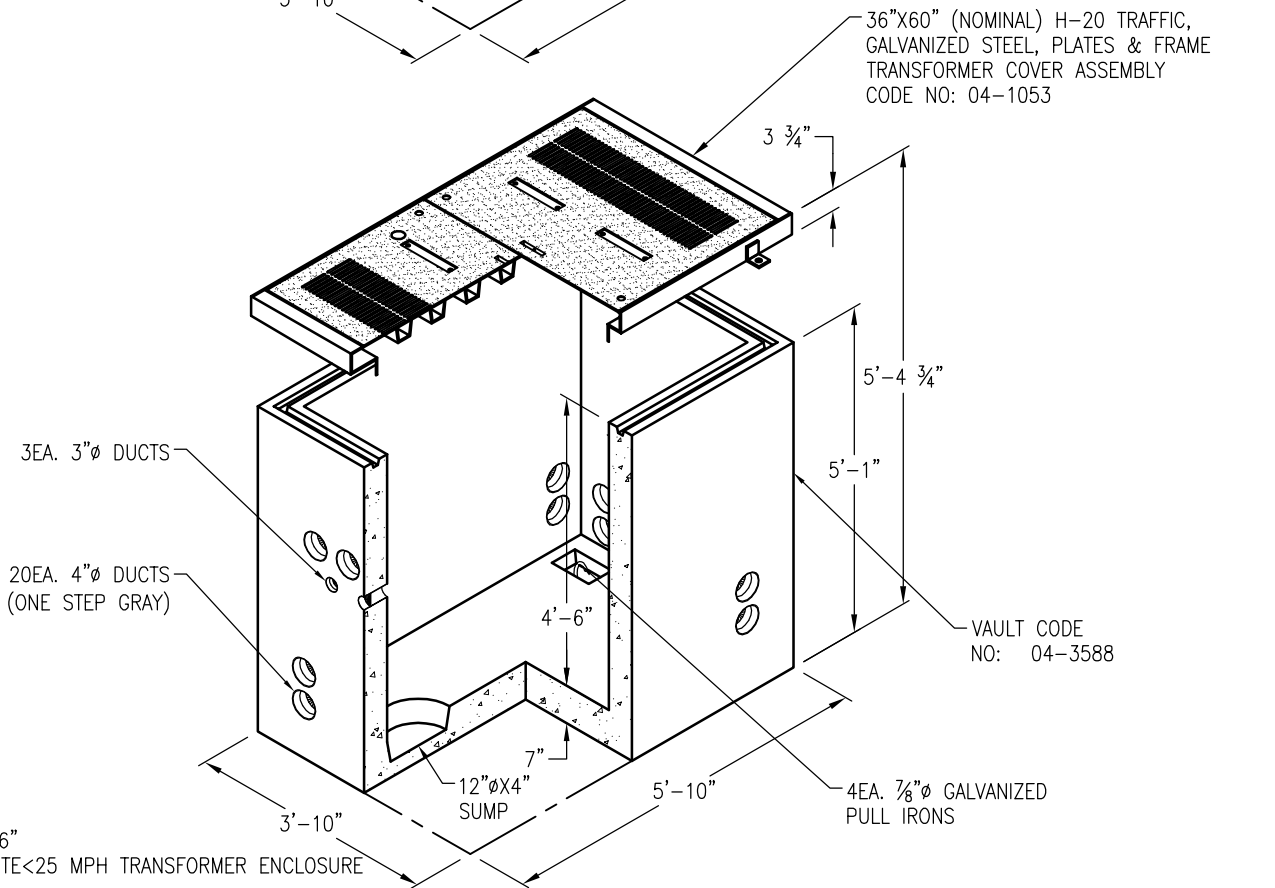
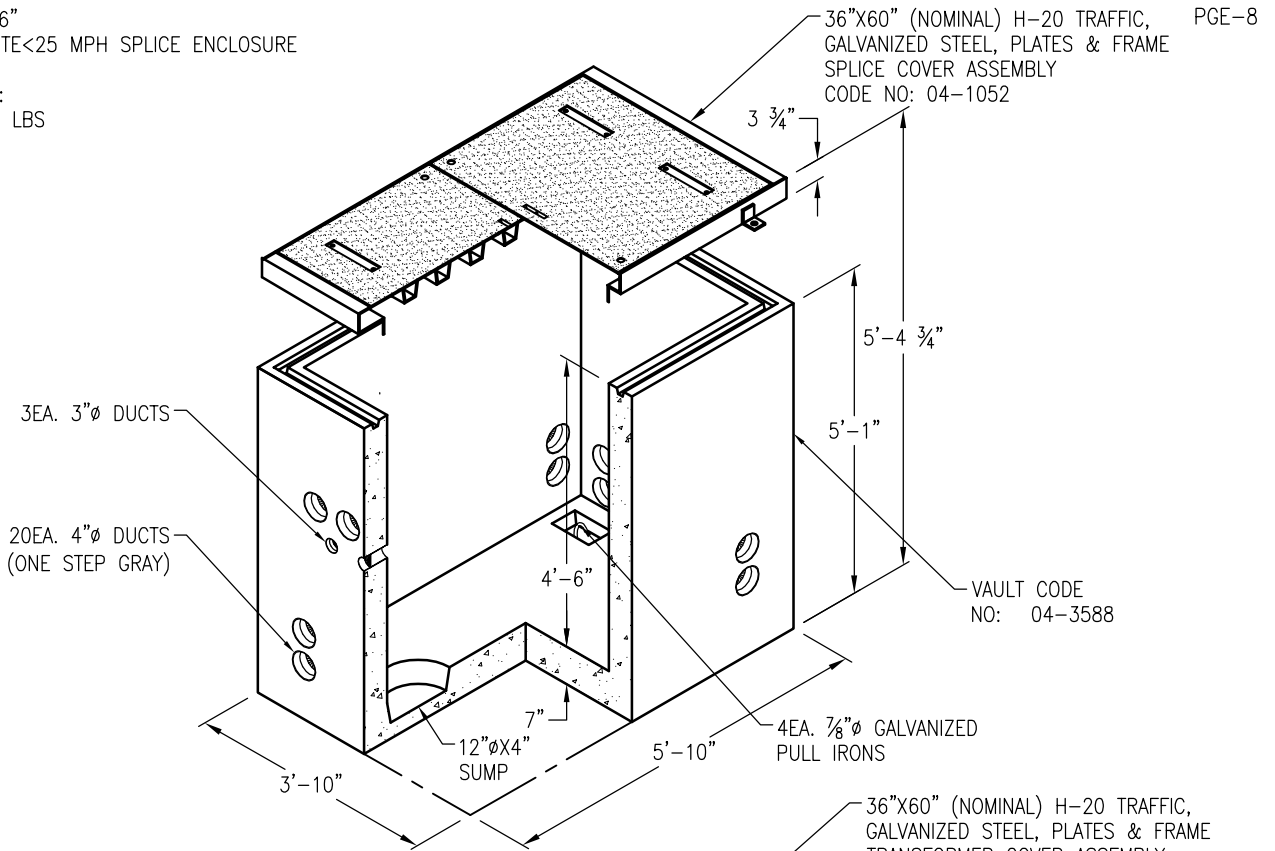


3'-0" X 5'-0" X 4'-6"
 FULL TRAFFIC H-20 NTE<25 MPH SPLICE ENCLOSURE
 CODE NO: 04-1669
 APPROXIMATE WEIGHTS:
 WITHOUT COVER 7,085 LBS



3'-0" X 5'-0" X 4'-6"
 FULL TRAFFIC H-20 NTE<25 MPH TRANSFORMER ENCLOSURE
 CODE NO: 04-1667
 APPROXIMATE WEIGHTS:
 WITHOUT COVER 7,085 LBS

DRAWING MAY NOT CONFORM TO THE MOST CURRENT SPECIFICATION