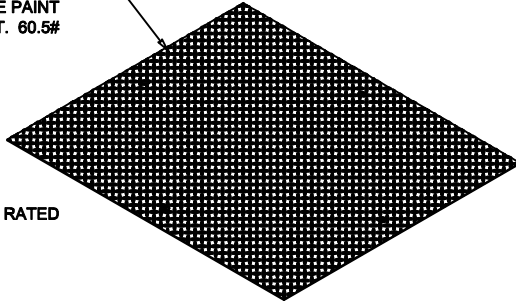


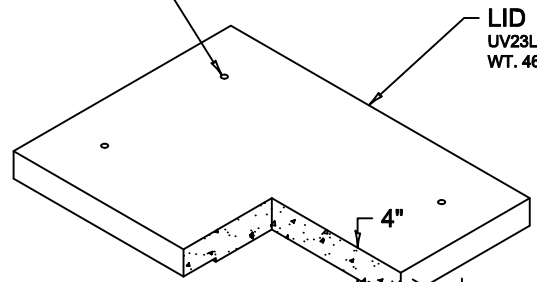
COVER
1/8" STEEL DIAMOND PLATE
PAINTED WITH CORROSIVE
PREVENTATIVE PAINT
WT. 60.5#



NOTE:
COVER IS NOT TRAFFIC RATED

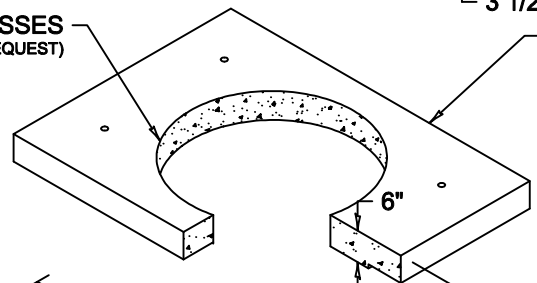
NOTE:
GALVANIZED COVERS ARE
AVAILABLE UPON REQUEST

LIFTING INSERTS
IC.75 (3/4" COIL)



LID
UV23L
WT. 480#

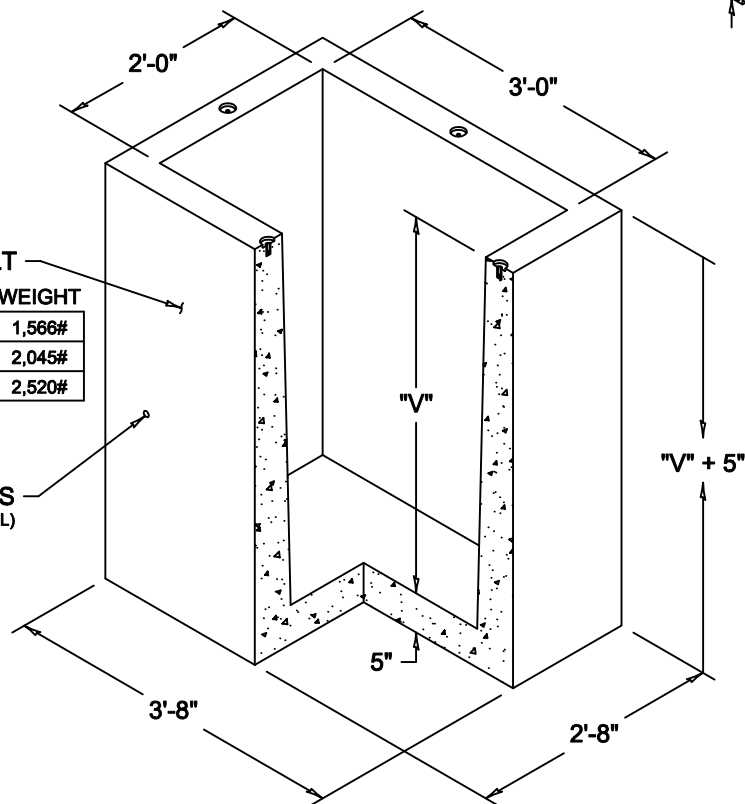
24" ACCESSSES
(UPON REQUEST)



LID
UV23L
WT. 475#

"V" HEIGHT	VAULT CODE	WEIGHT
2'	UV232	1,566#
3'	UV233	2,045#
4'	UV234	2,520#

LIFTING INSERTS
IC.75 (3/4" COIL)



NOTES:

1. OPENINGS MAY BE SIZED AND LOCATED AS REQUIRED.
2. OPTIONAL ACCESSORIES MAY BE CAST IN AS REQUIRED.
3. FOR OPTIONAL ACCESSORIES CHECK ACCESSORIES / HARDWARE SECTION.
4. IT IS RECOMMENDED THAT BITUMINOUS MASTIC BE USED AT ALL JOINTS.



2240 S. Yellowstone Hwy, Idaho Falls, Idaho 83402
Phone: 208-522-6150 Fax: 208-522-9701

VAULTS

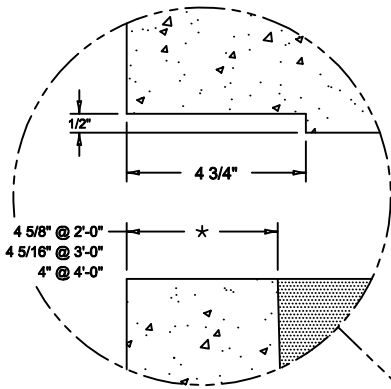
FILE NAME: 230TBUV02

ISSUE DATE: 5/2016

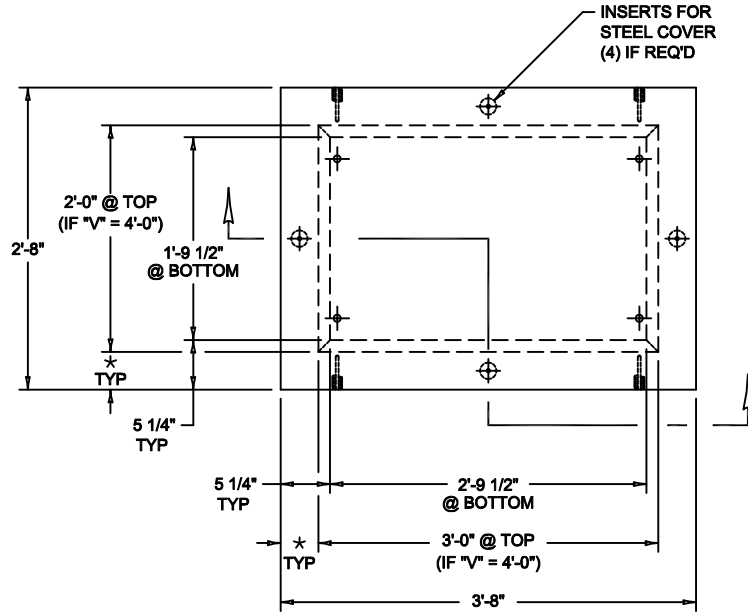
www.oldcastleprecast.com

Utility Vault
2' X 3' X 4'
ISO View

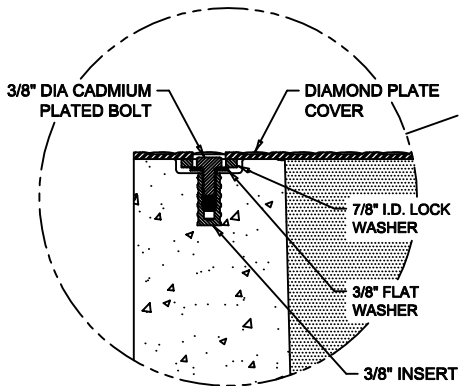
Copyright © 2011



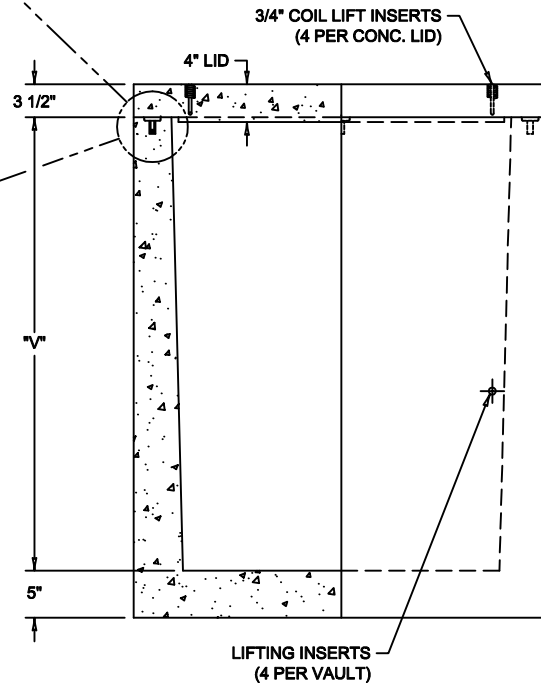
JOINT DETAIL
(FOR CONCRETE LID)
SHOWN OPEN
FOR CLARITY



PLAN VIEW



FASTENER DETAIL
(FOR STEEL COVER ONLY)
TYPICAL (4) PLACES



SECTION VIEW



2240 S. Yellowstone Hwy, Idaho Falls, Idaho 83402
Phone: 208-522-6150 Fax: 208-522-9701

VAULTS

FILE NAME: 230TBUV02

ISSUE DATE: 5/2016

www.oldcastleprecast.com

Utility Vault
2' X 3' X 4'

Copyright © 2011