

"R"

HEIGHT	CODE	WEIGHT
1'	UV441R	1,350#
2'	UV442R	2,700#
3'	UV443R	4,050#
4'	UV444R	5,400#
5'	UV445R	6,750#
5'-10 1/2"	UV446R	7,800#

"V"

HEIGHT	CODE	WEIGHT
3'	UV443	5,995#
4'	UV444	7,275#
5'	UV445	8,650#
5'-10 1/2"	UV446	9,975#

NOTES:

1. VAULTS ARE DESIGNED TO MEET ASTM C858 WITH AASHTO HS-20 LOADING.
2. OPENINGS MAY BE SIZED AND LOCATED AS REQUIRED.
3. OPTIONAL ACCESSORIES MAY BE CAST IN AS REQUIRED.
4. FOR OPTIONAL ACCESSORIES CHECK ACCESSORIES / HARDWARE SECTION.
5. IT IS RECOMMENDED THAT BITUMINOUS MASTIC BE USED AT ALL JOINTS.



2240 S. Yellowstone Hwy, Idaho Falls, Idaho 83402
 Phone: 208-522-6150 Fax: 208-522-9701

VAULTS

FILE NAME: 230TBUV05

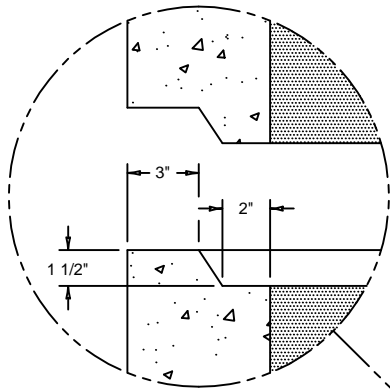
ISSUE DATE: 1/2011

www.oldcastleprecast.com

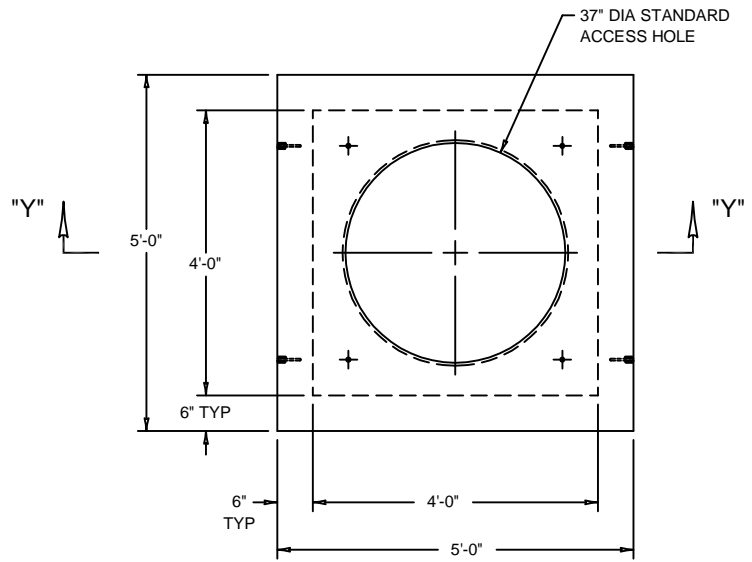
Utility Vault
4' X 4' X 5'-10 1/2"

ISO View

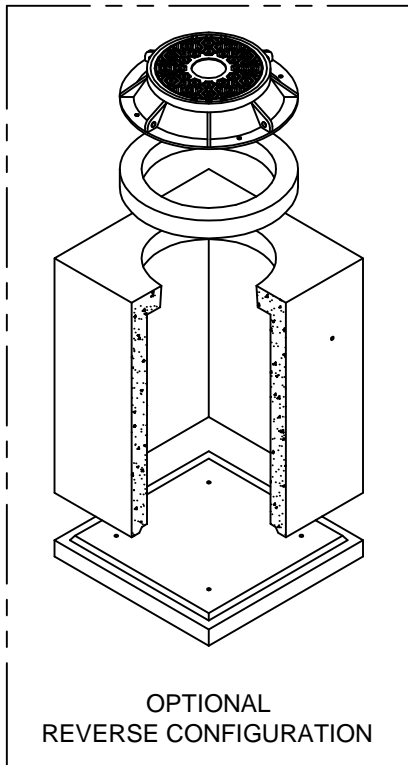
Copyright © 2011



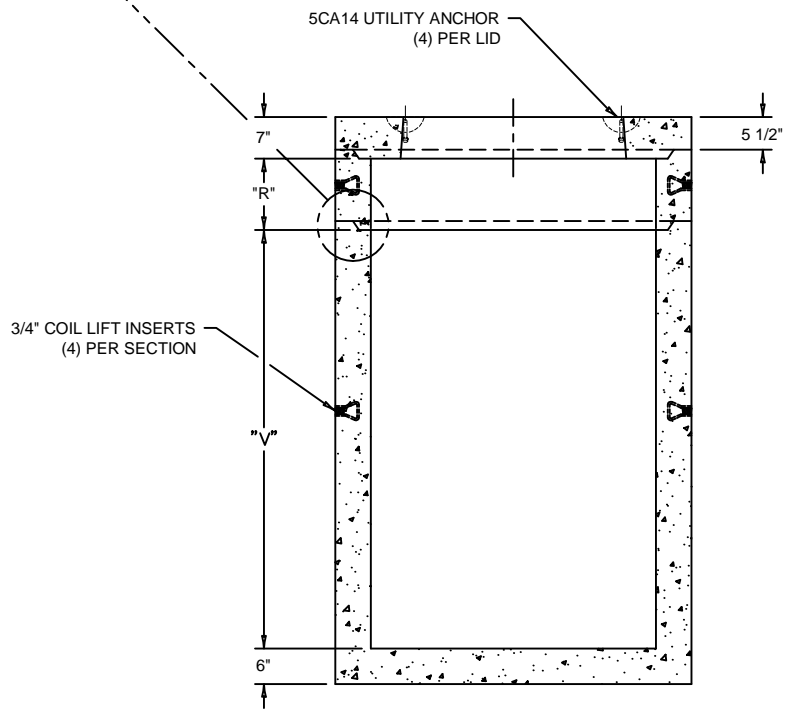
JOINT DETAIL
SHOWN OPEN
FOR CLARITY



PLAN VIEW



**OPTIONAL
REVERSE CONFIGURATION**



SECTION "Y"-"Y"



2240 S. Yellowstone Hwy, Idaho Falls, Idaho 83402
Phone: 208-522-6150 Fax: 208-522-9701

VAULTS

FILE NAME: 230TBUV05

ISSUE DATE: 1/2011

www.oldcastleprecast.com

Utility Vault

4' X 4' X 5'-10 1/2"

Copyright © 2011