

NOTES:

1. INLET & OUTLET ARE IDENTIFIED.
2. TANK IS MARKED 1,000 GALLON.
3. ACTUAL TANK CAPACITY IS 1,000 GALLONS (3,785L) AT A LIQUID DEPTH OF 4'-6" (1372mm).
4. INLET & OUTLET BAFFLES WILL ACCEPT A NOM. 4" SCH. 40 PVC PIPE.
5. IT IS RECOMMENDED THAT BITUMINOUS MASTIC BE USED AT JOINT.
6. OPENINGS MAY BE SIZED & LOCATED AS SPECIFIED WITHIN STRUCTURAL LIMITATIONS.
7. BAFFLES ARE TO BE INSTALLED BY OTHERS.
8. DESIGNED FOR 8'-0" MAX. BURY.

Oldcastle Precast[®]
 2240 S. Yellowstone Hwy, Idaho Falls, Idaho 83402
 Phone: 208-522-6150 Fax: 208-522-9701

Grease Trap

FILE NAME: 230TBG102

ISSUE DATE: 11/2016

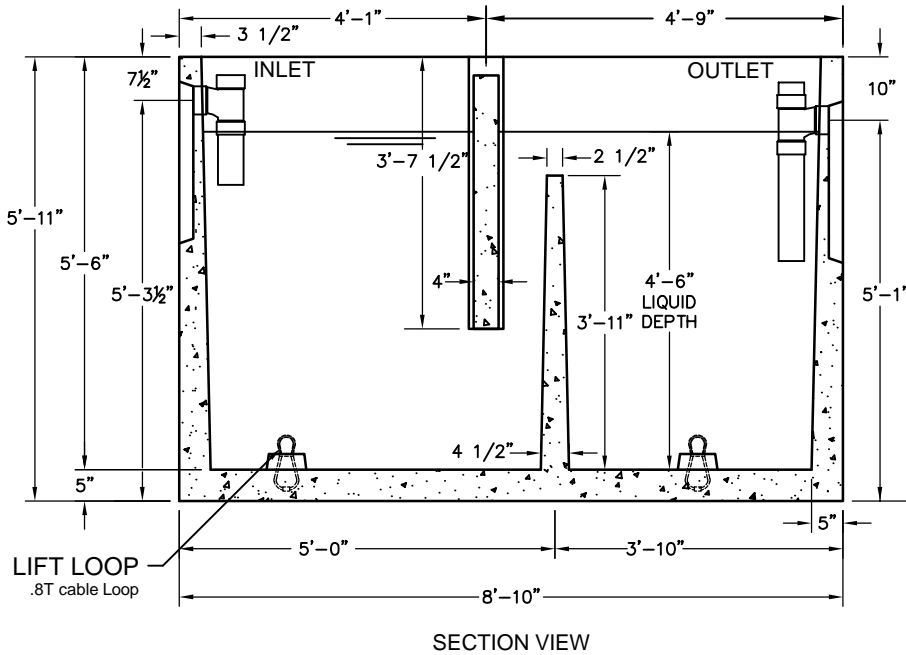
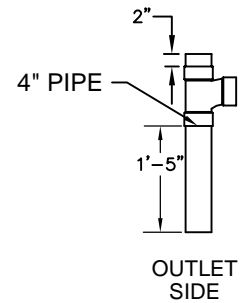
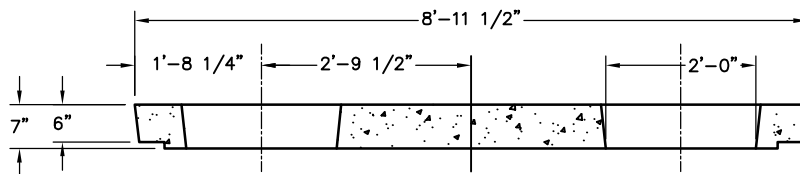
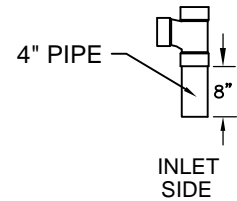
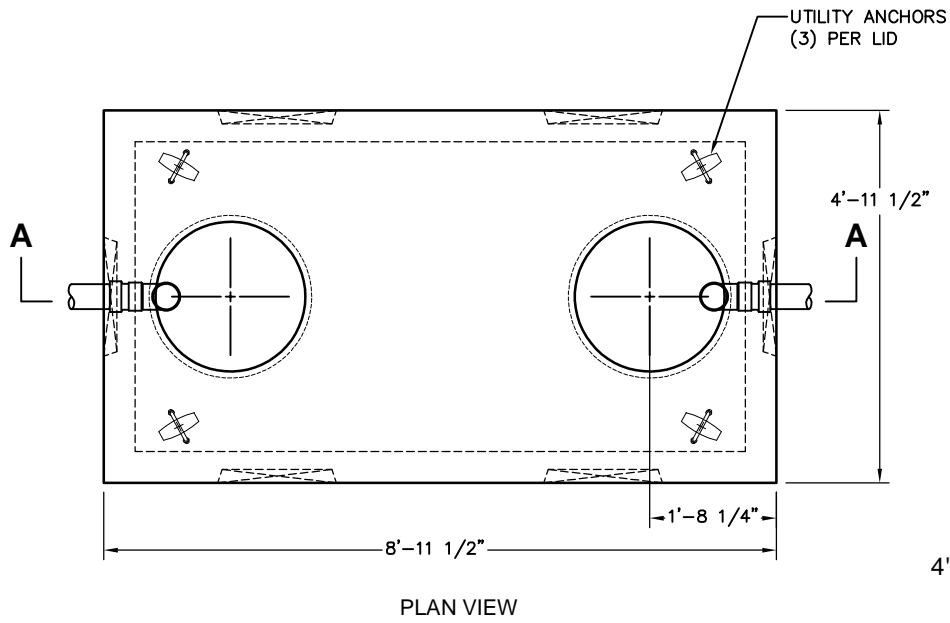
www.oldcastleprecast.com

1000 Gal 4' X 8'
(HS-20 Traffic Rated)

ISO View

Copyright © 2011

CUSTOMER TO KNOCKOUT THINWALL KNOCKOUT FOR PIPE



2240 S. Yellowstone Hwy, Idaho Falls, Idaho 83402
Phone: 208-522-6150 Fax: 208-522-9701

Grease Trap

FILE NAME: 230TBGIO2

ISSUE DATE: 11/2016

www.oldcastleprecast.com

1000 Gal 4' X 8'
(HS-20 Traffic Rated)

Copyright © 2011