

**NOTES:**

1. VAULTS ARE DESIGNED TO MEET ASTM C858 WITH AASHTO HS-20 LOADING.
2. OPENINGS MAY BE SIZED AND LOCATED AS REQUIRED.
3. OPTIONAL ACCESSORIES MAY BE CAST IN AS REQUIRED.
4. FOR OPTIONAL ACCESSORIES CHECK ACCESSORIES / HARDWARE SECTION.
5. IT IS RECOMMENDED THAT BITUMINOUS MASTIC BE USED AT ALL JOINTS.



2240 S. Yellowstone Hwy, Idaho Falls, Idaho 83402  
 Phone: 208-522-6150 Fax: 208-522-9701

**VAULTS**

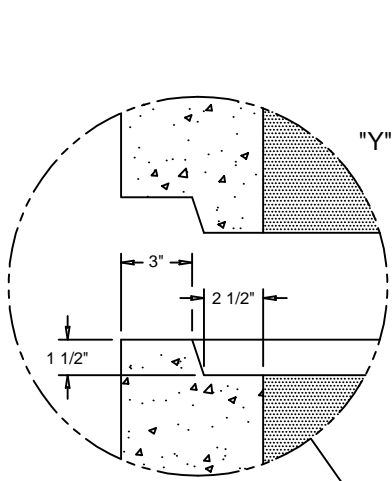
FILE NAME: 230TBUV07

ISSUE DATE: 1/2011

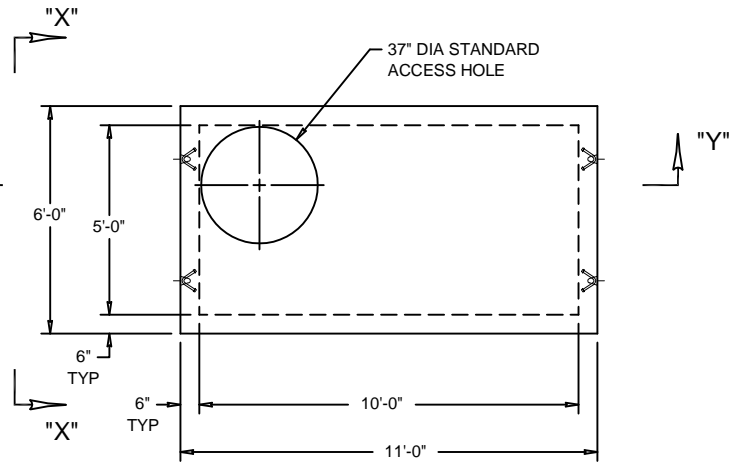
[www.oldcastleprecast.com](http://www.oldcastleprecast.com)

**Utility Vault**  
**5' X 10' X 6'-10"**  
**ISO View**

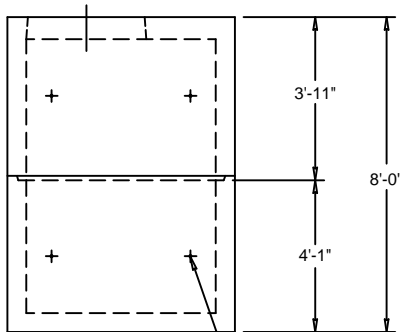
Copyright © 2011



**JOINT DETAIL**  
SHOWN OPEN  
FOR CLARITY

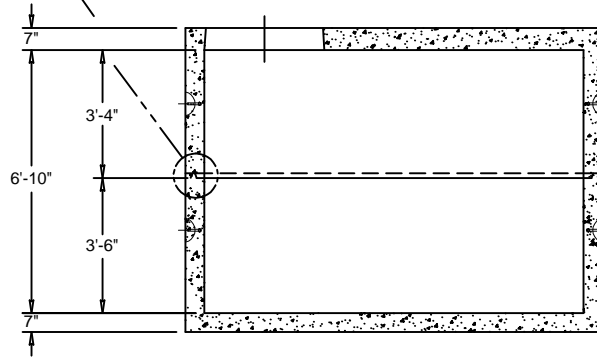


**PLAN VIEW**



**VIEW "X"- "X"**

5CA14 UTILITY ANCHOR  
(4) PER SECTION



**SECTION "Y"- "Y"**

UTILITY ANCHOR  
(4) PER TOP SECTION

UTILITY ANCHOR  
(4) PER BTM SECTION



2240 S. Yellowstone Hwy, Idaho Falls, Idaho 83402  
Phone: 208-522-6150 Fax: 208-522-9701

# VAULTS

FILE NAME: 230TBUV07

ISSUE DATE: 1/2011

[www.oldcastleprecast.com](http://www.oldcastleprecast.com)

**Utility Vault**  
**5' X 10' X 6'-10"**

Copyright © 2011