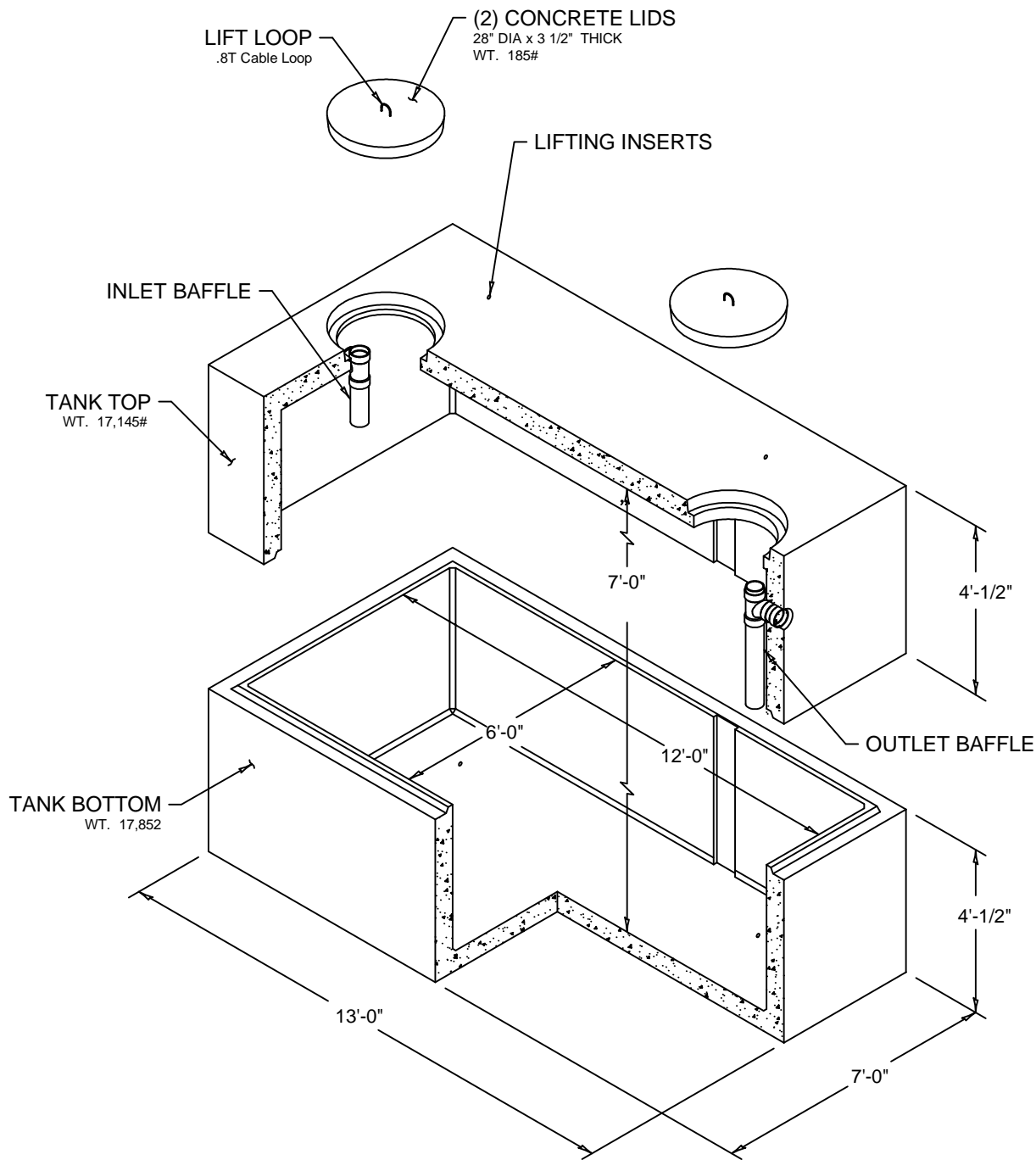


6" DIA. BLOCKOUT USED FOR INLET & OUTLET



NO PARTITION WALL FOR CLARITY

NOTES:

1. INLET & OUTLET ARE IDENTIFIED.
2. TANK IS MARKED 3,000 GALLON.
3. ACTUAL TANK CAPACITY IS 3,140 GALLONS (11,885L) AT A LIQUID DEPTH OF 5'-10" (1780mm).
4. INLET & OUTLET BAFFLES WILL ACCEPT A NOM. 4" SCH. 40 PVC PIPE.
5. IT IS RECOMMENDED THAT BITUMINOUS MASTIC BE USED AT JOINT.
6. OPENINGS MAY BE SIZED & LOCATED AS SPECIFIED WITHIN STRUCTURAL LIMITATIONS.
7. BAFFLES ARE TO BE INSTALLED BY OTHERS.
8. DESIGNED FOR 8'-0" MAX. BURY.



Oldcastle Precast®

2240 S. Yellowstone Hwy, Idaho Falls, Idaho 83402
Phone: 208-522-6150 Fax: 208-522-9701

Septic Tank

FILE NAME: 230TBST07

ISSUE DATE: 11/2016

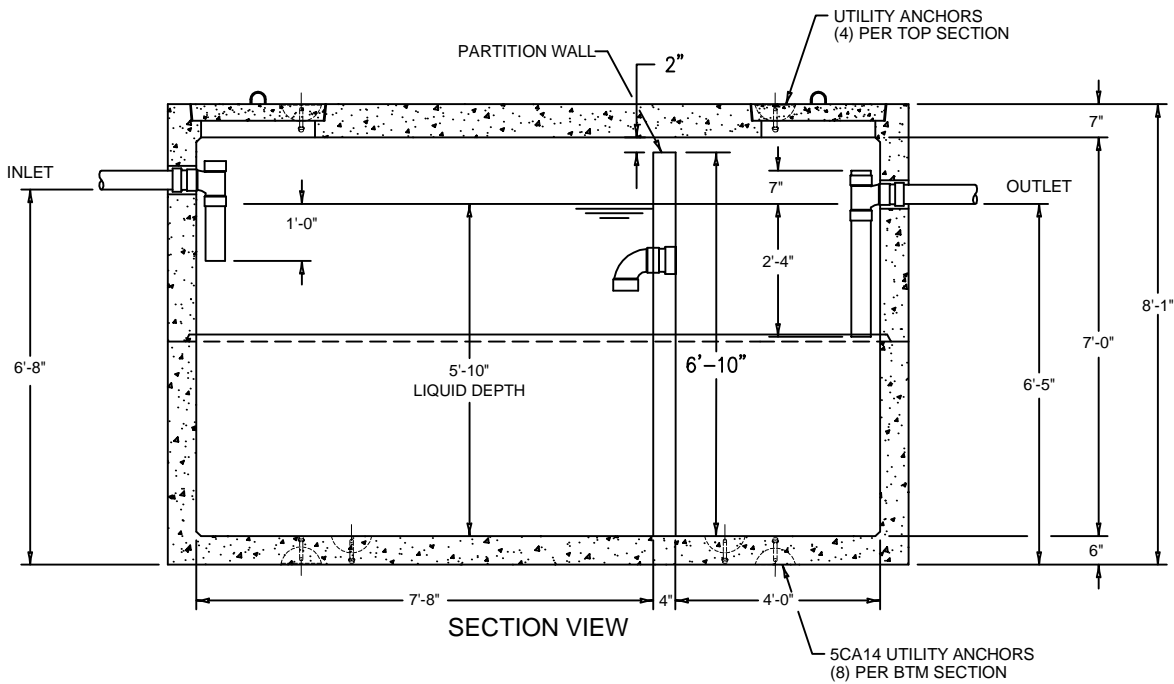
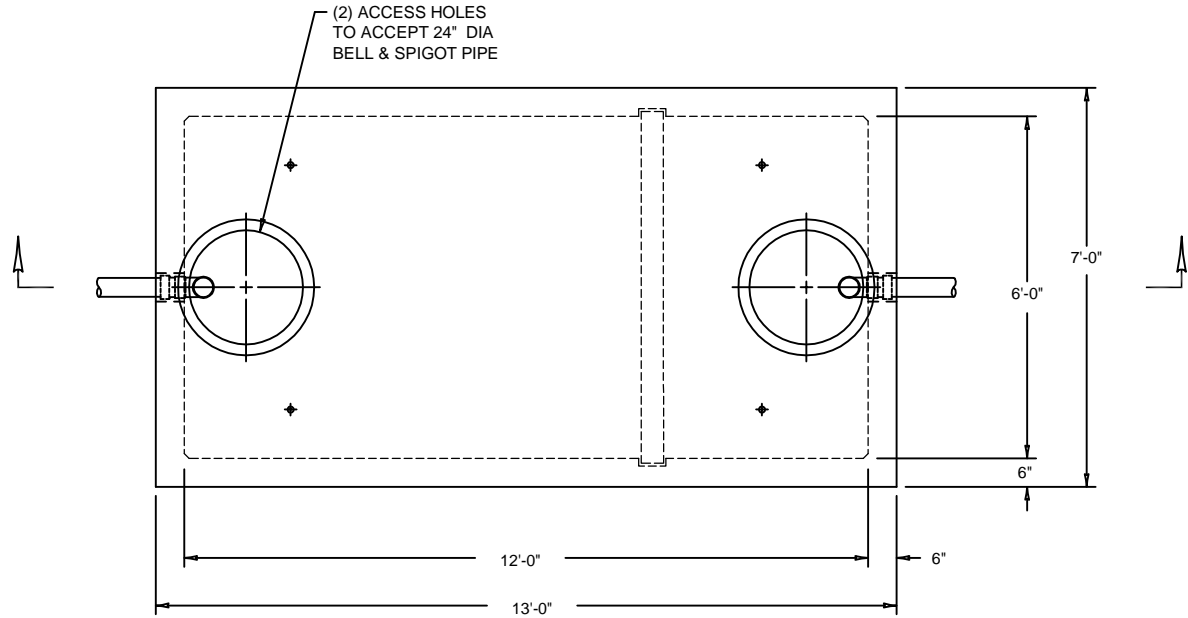
www.oldcastleprecast.com

3000 Gal 6' X 12'
(HS-20 Traffic Rated)

ISO View

Copyright © 2011

6" DIA. BLOCKOUT USED FOR INLET & OUTLET



2240 S. Yellowstone Hwy, Idaho Falls, Idaho 83402
 Phone: 208-522-6150 Fax: 208-522-9701

Septic Tank

FILE NAME: 230TBST07

ISSUE DATE: 11/2016

www.oldcastleprecast.com

3000 Gal 6' X 12'
 (HS-20 Traffic Rated)

Copyright © 2011