

**NOTES:**

1. VAULTS CAN BE DESIGNED TO MEET ASTM C858 AND AASHTO LOADINGS.
2. OPENINGS MAY BE SIZED AND LOCATED AS SPECIFIED WITHIN STRUCTURAL LIMITATIONS.
3. OPTIONAL ACCESSORIES MAY BE INSTALLED AS SPECIFIED.
4. FOR OPTIONAL ACCESSORIES, SEE ACCESSORIES / HARDWARE SECTION.
5. IT IS RECOMMENDED THAT BITUMINOUS MASTIC BE USED AT ALL JOINTS.



2240 S. Yellowstone Hwy, Idaho Falls, Idaho 83402  
 Phone: 208-522-6150 Fax: 208-522-9701

# VAULTS

FILE NAME: 230TBUV013

ISSUE DATE: 1/2011

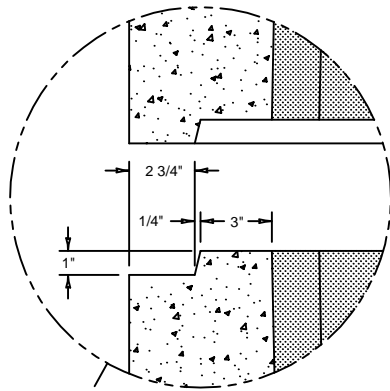
[www.oldcastleprecast.com](http://www.oldcastleprecast.com)

**Utility Vault**

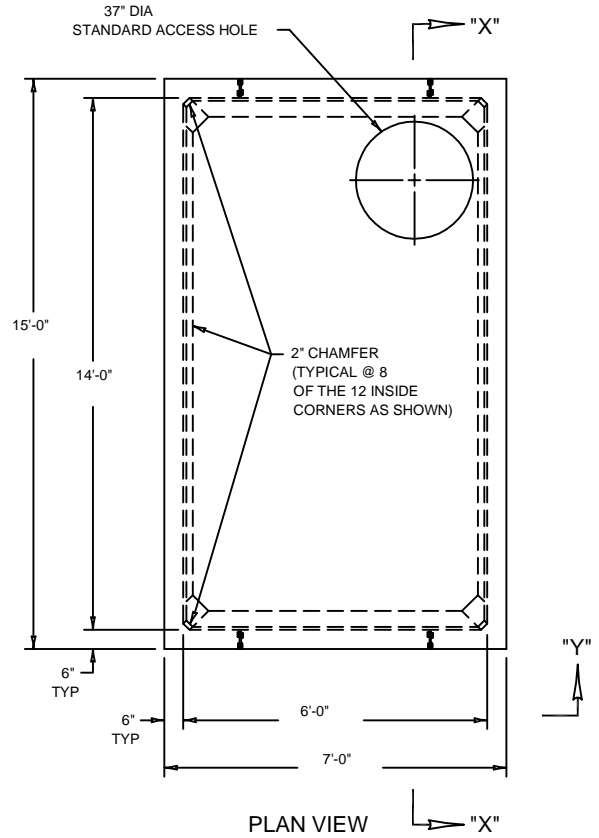
**6' X 14' X 8'**

**ISO View**

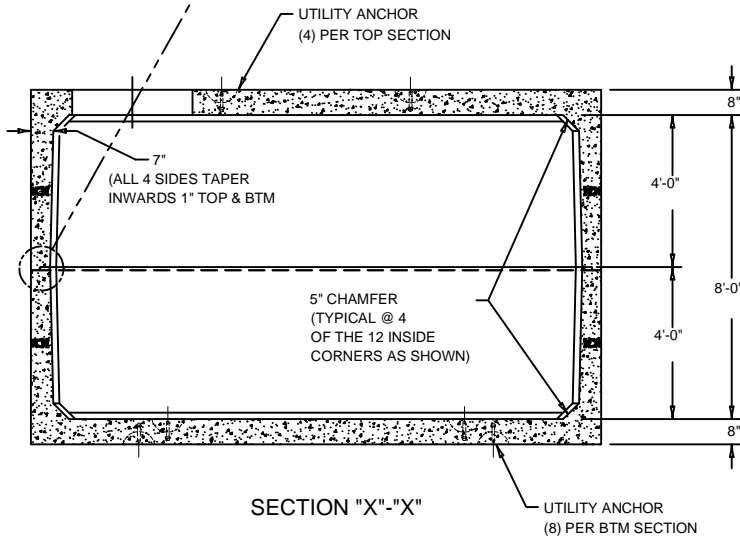
Copyright © 2011



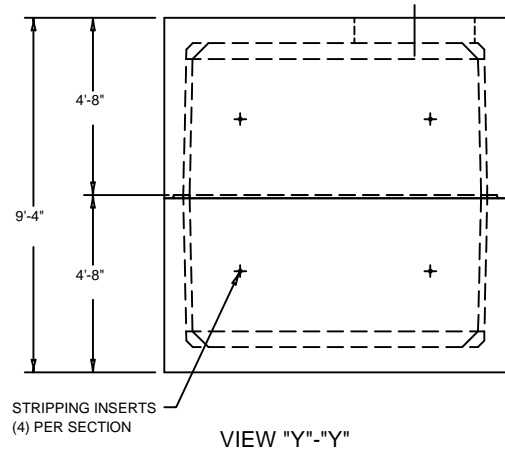
**JOINT DETAIL**  
SHOWN OPEN  
FOR CLARITY



**PLAN VIEW**



**SECTION "X"-"X"**



**VIEW "Y"-"Y"**



2240 S. Yellowstone Hwy, Idaho Falls, Idaho 83402  
Phone: 208-522-6150 Fax: 208-522-9701

# VAULTS

FILE NAME: 230TBUV013

ISSUE DATE: 1/2011

[www.oldcastleprecast.com](http://www.oldcastleprecast.com)

**Utility Vault**  
**6' X 14' X 8'**

Copyright © 2011