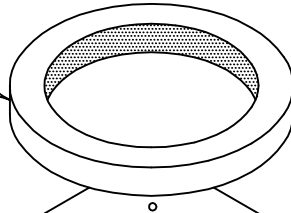


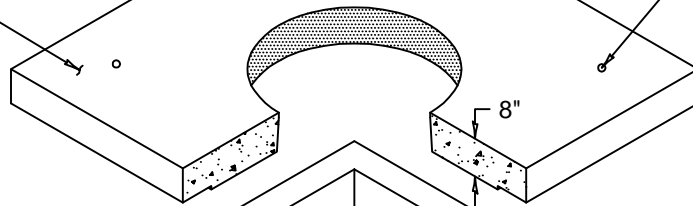
RING & COVER

GRADE RING



LIFTING INSERTS

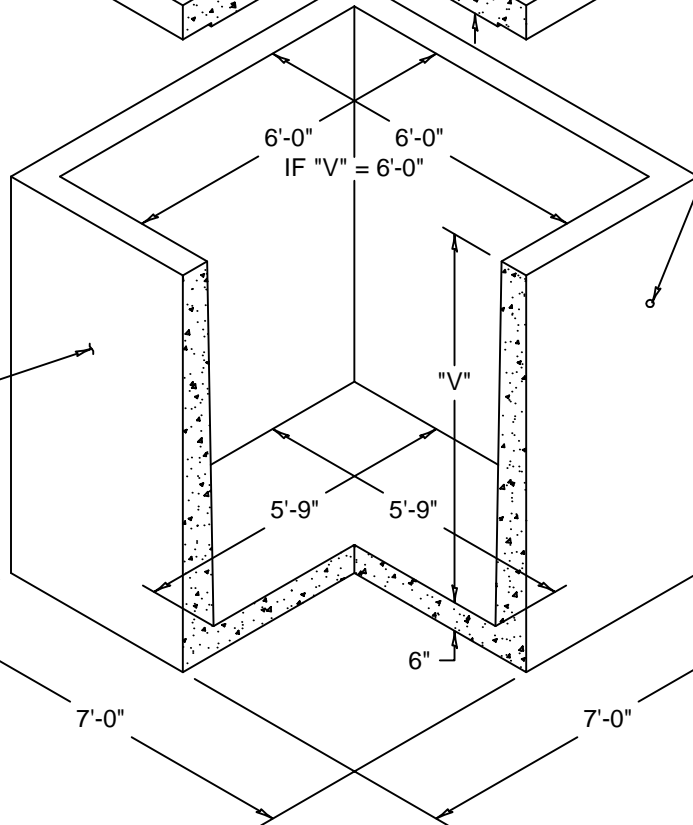
LID
UV66L
WT. 4,065#



7 1/4"

8"

LIFTING INSERTS



6'-0" 6'-0"
IF "V" = 6'-0"

"V"

"V" + 6"

5'-9" 5'-9"

6"

7'-0"

7'-0"

VAULT

"V" HEIGHT	CODE	WEIGHT
3'	UV663	10,400#
4'	UV664	12,520#
5'	UV665	14,570#
6'	UV666	15,375#

NOTES:

1. VAULTS ARE DESIGNED TO MEET ASTM C858 WITH AASHTO HS-20 LOADING.
2. OPENINGS MAY BE SIZED AND LOCATED AS REQUIRED.
3. OPTIONAL ACCESSORIES MAY BE CAST IN AS REQUIRED.
4. FOR OPTIONAL ACCESSORIES CHECK ACCESSORIES / HARDWARE SECTION.
5. IT IS RECOMMENDED THAT BITUMINOUS MASTIC BE USED AT ALL JOINTS.



2240 S. Yellowstone Hwy, Idaho Falls, Idaho 83402
Phone: 208-522-6150 Fax: 208-522-9701

VAULTS

FILE NAME: 230TBUV08

ISSUE DATE: 11/2016

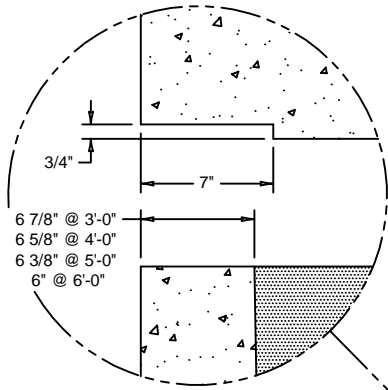
www.oldcastleprecast.com

Utility Vault

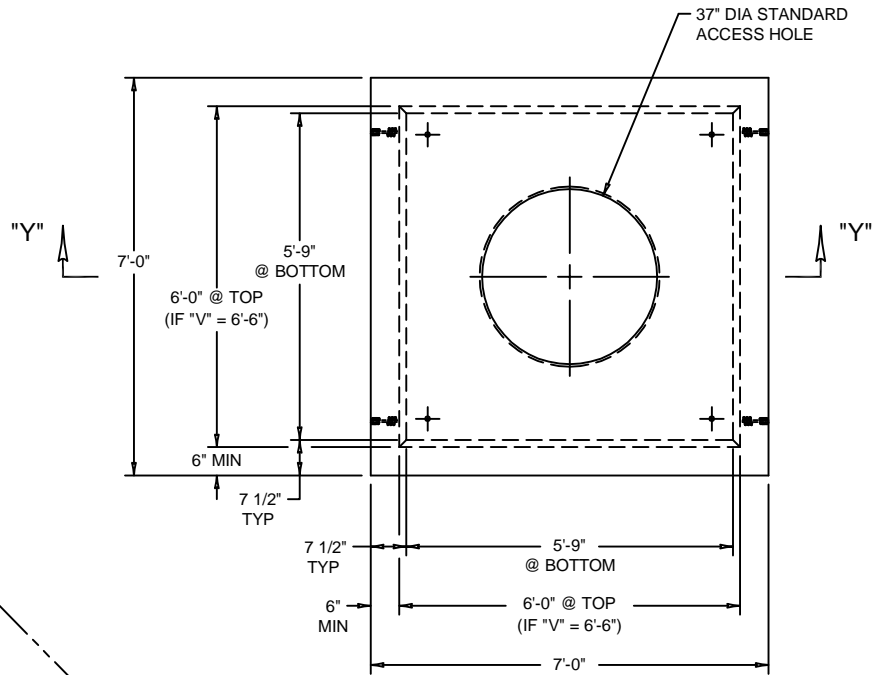
6' X 6' X 6'

ISO View

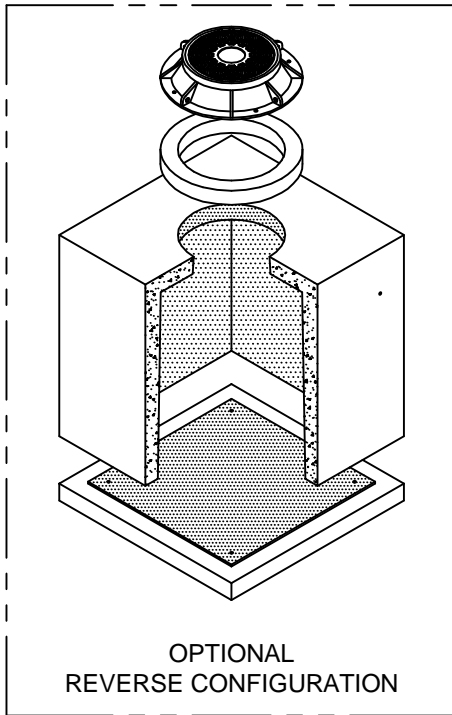
Copyright © 2011



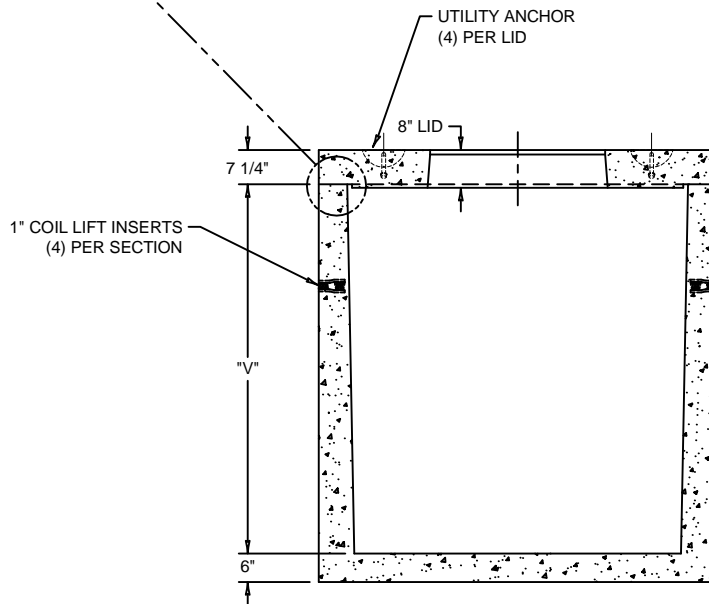
JOINT DETAIL
SHOWN OPEN
FOR CLARITY



PLAN VIEW



**OPTIONAL
REVERSE CONFIGURATION**



SECTION "Y"-"Y"



2240 S. Yellowstone Hwy, Idaho Falls, Idaho 83402
Phone: 208-522-6150 Fax: 208-522-9701

VAULTS

FILE NAME: 230TBUV08

ISSUE DATE: 11/2016

www.oldcastleprecast.com

Utility Vault
6' X 6' X 6'

Copyright © 2011