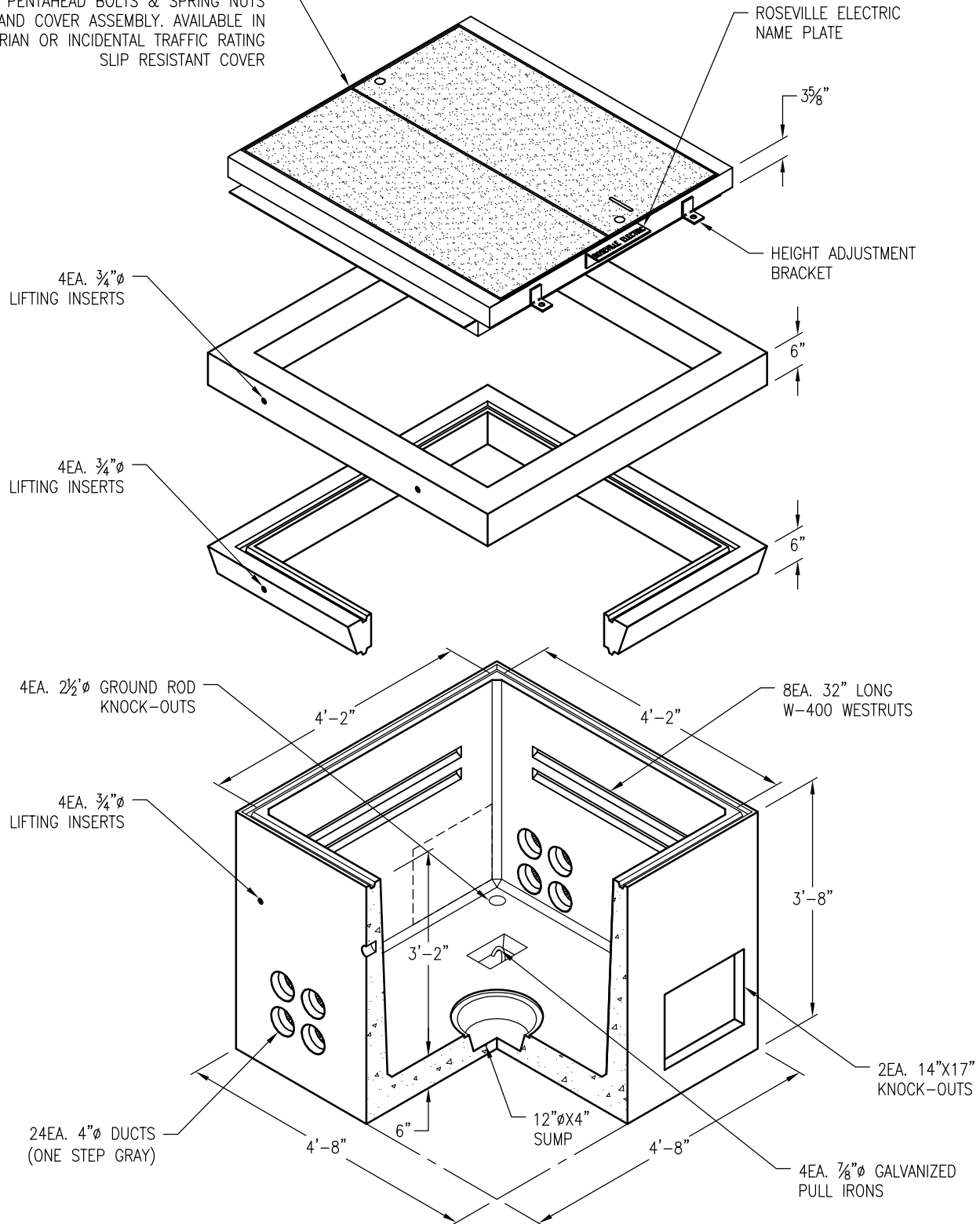


48"X48" (NOMINAL) ADJUSTABLE, ALUMINUM W/SS PENTAHEAD BOLTS & SPRING NUTS FRAME AND COVER ASSEMBLY. AVAILABLE IN PEDESTRIAN OR INCIDENTAL TRAFFIC RATING SLIP RESISTANT COVER



COVER RING WEIGHT: 640 LBS.  
 RISER WEIGHT: 460 LBS.  
 VAULT WEIGHT: 3,850 LBS.

DRAWING MAY NOT CONFORM TO THE MOST CURRENT SPECIFICATION



**Oldcastle Precast**<sup>®</sup>  
 Northern California  
 Madera ■ Morgan Hill ■ Pleasanton ■ Santa Rosa ■ Stockton ■ Tulare  
 Phone: 925-750-6650 Fax: 925-750-6660

<b>RVE-504</b>
FILE NAME: RVE-2.DWG
REVISED: MARCH 2016
<a href="http://www.oldcastleprecast.com">www.oldcastleprecast.com</a>

**4'-2" X 4'-2" X 3'-2" (I.D.)  
 UTILITY VAULT  
 ROSEVILLE ELECTRIC**