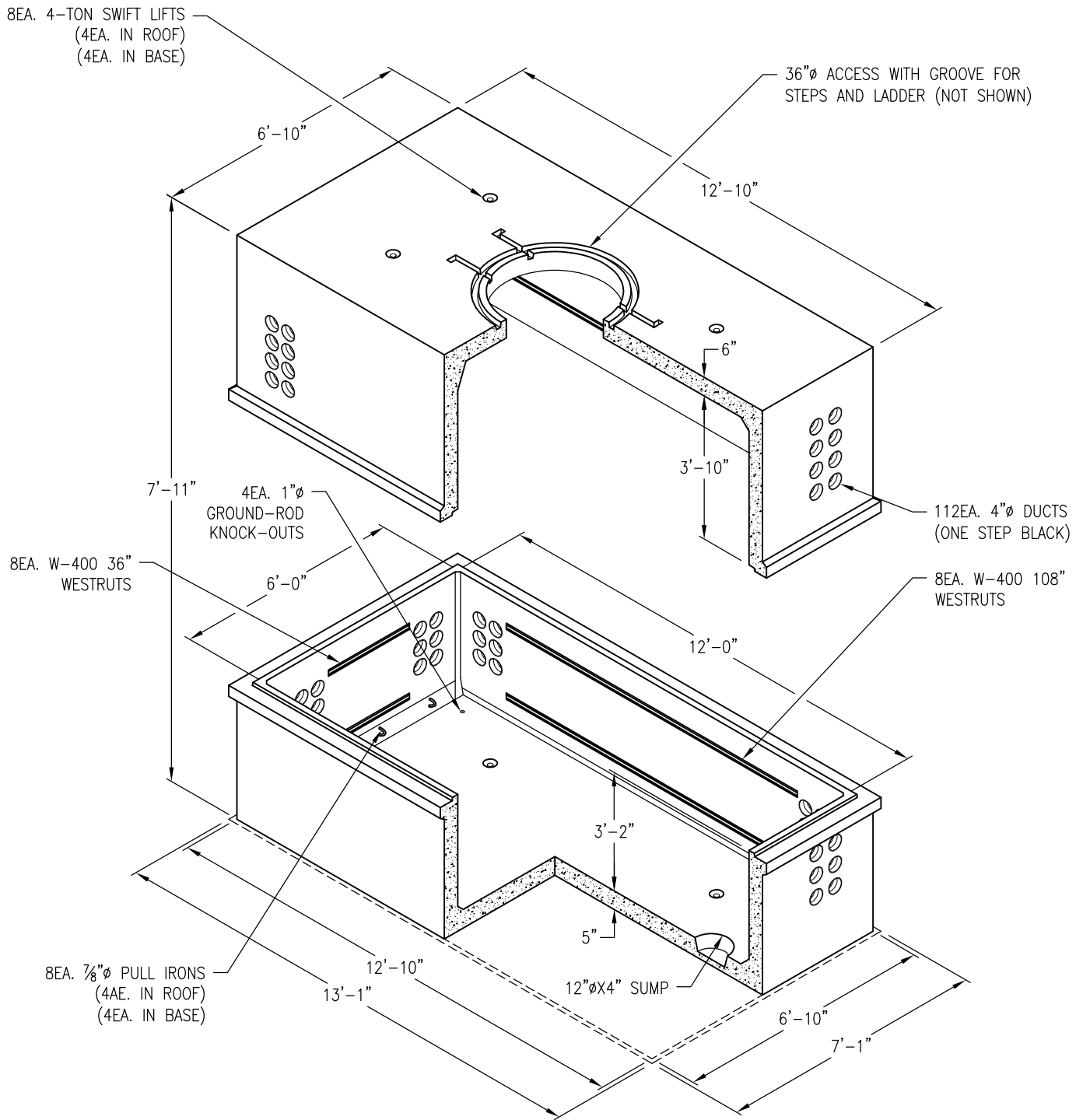


SURFACE SEALER – TWO COATS OF PENETRATING EPOXY SEALER SHALL BE APPLIED TO THE EXTERIOR. THE INTERIOR SHALL BE PAINTED WITH TWO COATS OF AN APPROVED WHITE PAINT.

RVE-7



TOP SECTION WEIGHT: 16,380 LBS.
BASE SECTION WEIGHT: 14,500 LBS.

DRAWING MAY NOT CONFORM TO THE MOST CURRENT SPECIFICATION



Oldcastle Precast[®]

Northern California
Madera ■ Morgan Hill ■ Pleasanton ■ Santa Rosa ■ Stockton ■ Tulare
Phone: 925-750-6650 Fax: 925-750-6660

RVE-38Y-612
FILE NAME: RVE-7.DWG
REVISED: MARCH 2016
www.oldcastleprecast.com

6'-0" X 12'-0" X 7'-0" (I.D.)
UTILITY VAULT
ROSEVILLE ELECTRIC

Copyright © 2016 Oldcastle Precast, Inc.