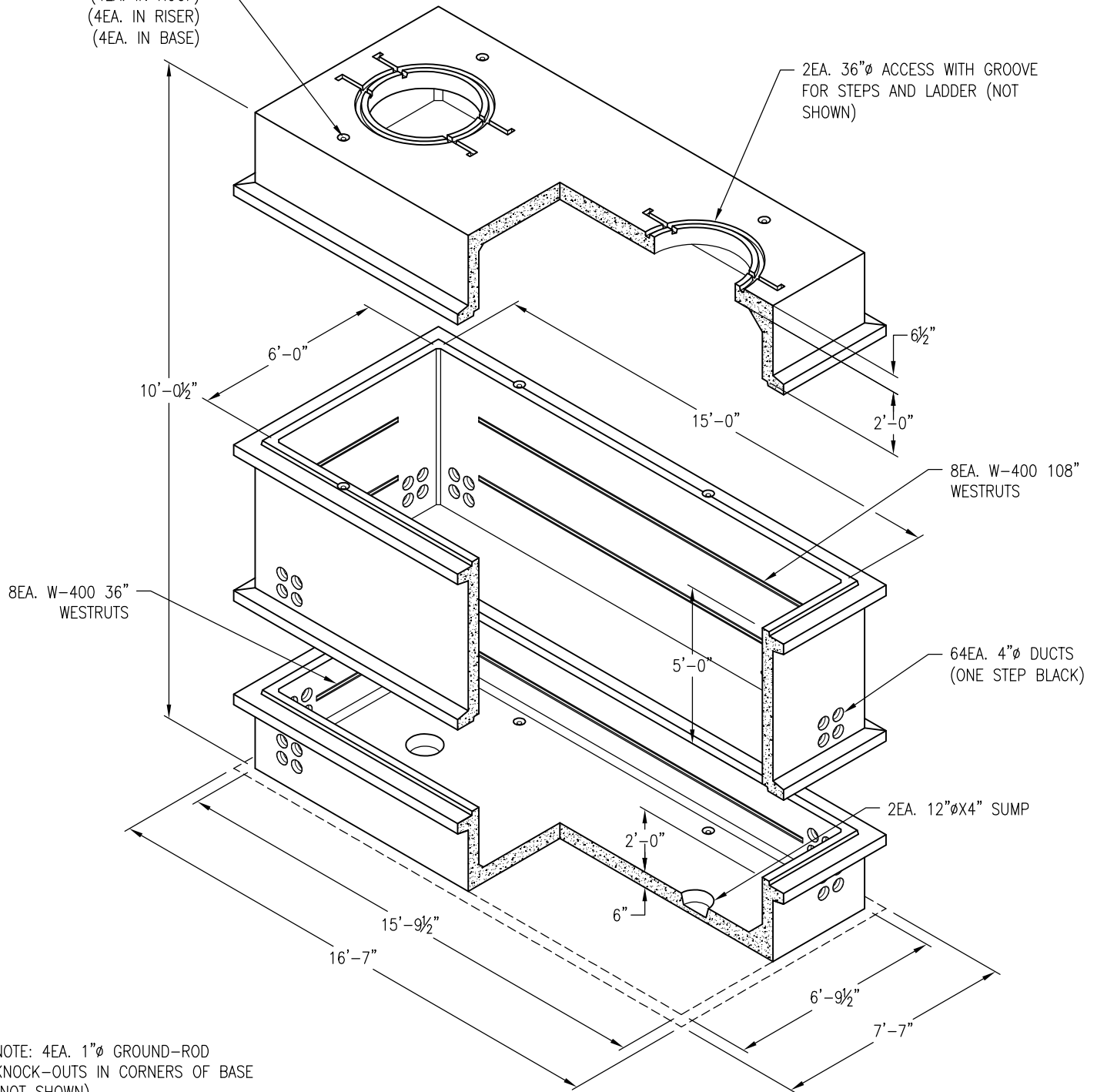


SURFACE SEALER – TWO COATS OF PENETRATING EPOXY SEALER SHALL BE APPLIED TO THE EXTERIOR. THE INTERIOR SHALL BE PAINTED WITH TWO COATS OF AN APPROVED WHITE PAINT.

RVE-8

12EA. 4-TON SWIFT LIFTS
(4EA. IN ROOF)
(4EA. IN RISER)
(4EA. IN BASE)

2EA. 36"Ø ACCESS WITH GROOVE FOR STEPS AND LADDER (NOT SHOWN)



TOP SECTION WEIGHT: 14,960 LBS.
RISER SECTION WEIGHT: 16,600 LBS.
BASE SECTION WEIGHT: 14,800 LBS.

DRAWING MAY NOT CONFORM TO THE MOST CURRENT SPECIFICATION



Oldcastle Precast[®]

Northern California
Madera ■ Morgan Hill ■ Pleasanton ■ Santa Rosa ■ Stockton ■ Tulare
Phone: 925-750-6650 Fax: 925-750-6660

RVE-38Y-615
FILE NAME: RVE-8.DWG
REVISED: MARCH 2016
www.oldcastleprecast.com

6'-0" X 15'-0" X 9'-0" (I.D.)
UTILITY VAULT
ROSEVILLE ELECTRIC

Copyright © 2016 Oldcastle Precast, Inc.