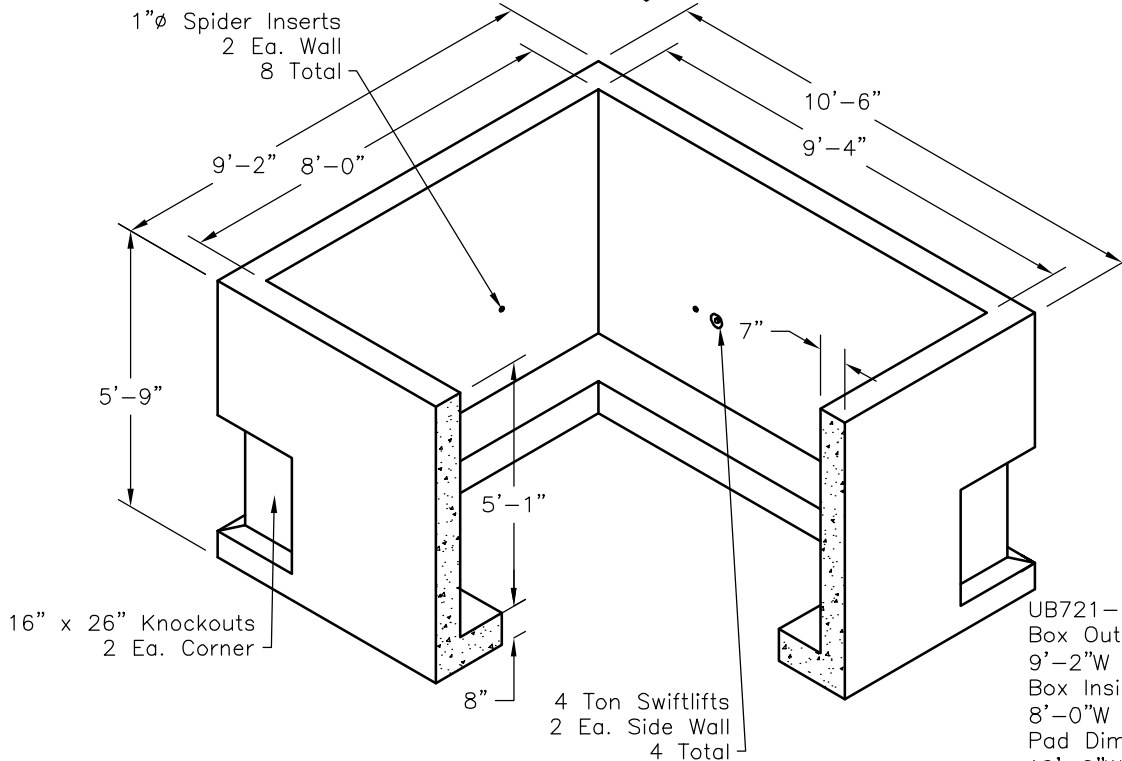
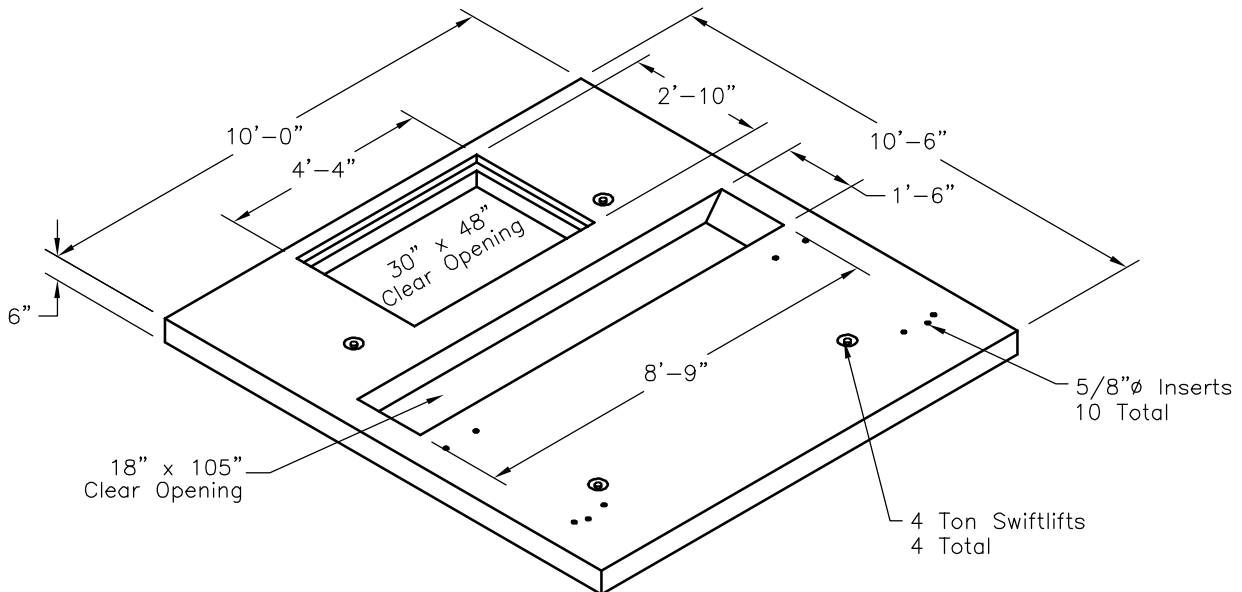


Optional 3/16" Diamond Plate Cover
 Identification Spot



UB721-15 Type 1
 Box Outside Dimensions
 9'-2"W x 10'-6"L x 5'-9"H
 Box Inside Dimensions
 8'-0"W x 9'-4"L x 5'-1"H
 Pad Dimensions
 10'-0"W x 10'-6"L x 6"H
 Minimum Excavation Is To
 Be 12" Larger Than Product
 On All Sides

Approximate Weights
 Box - 20300 Lbs
 Pad - 4800 Lbs

SCALE: 1/4" = 1'-0"

Oldcastle Precast
 UV UTILITY VAULT™ Division
 Southern California
 Fontana, San Diego, Santa Paula
 Phone: 800-626-3860 Fax: 909-428-3737

LADWP 10106SB
 FILE NAME: 070UEE10106BLA.DWG
 REVISED: May 2006
www.oldcastleprecast.com

10'-0" x 10'-6" x 6" Pad
6'-0" x 10'-0" x 5'-0" Box
Los Angeles D.W.P.

Copyright © 2008 Oldcastle Precast, Inc.