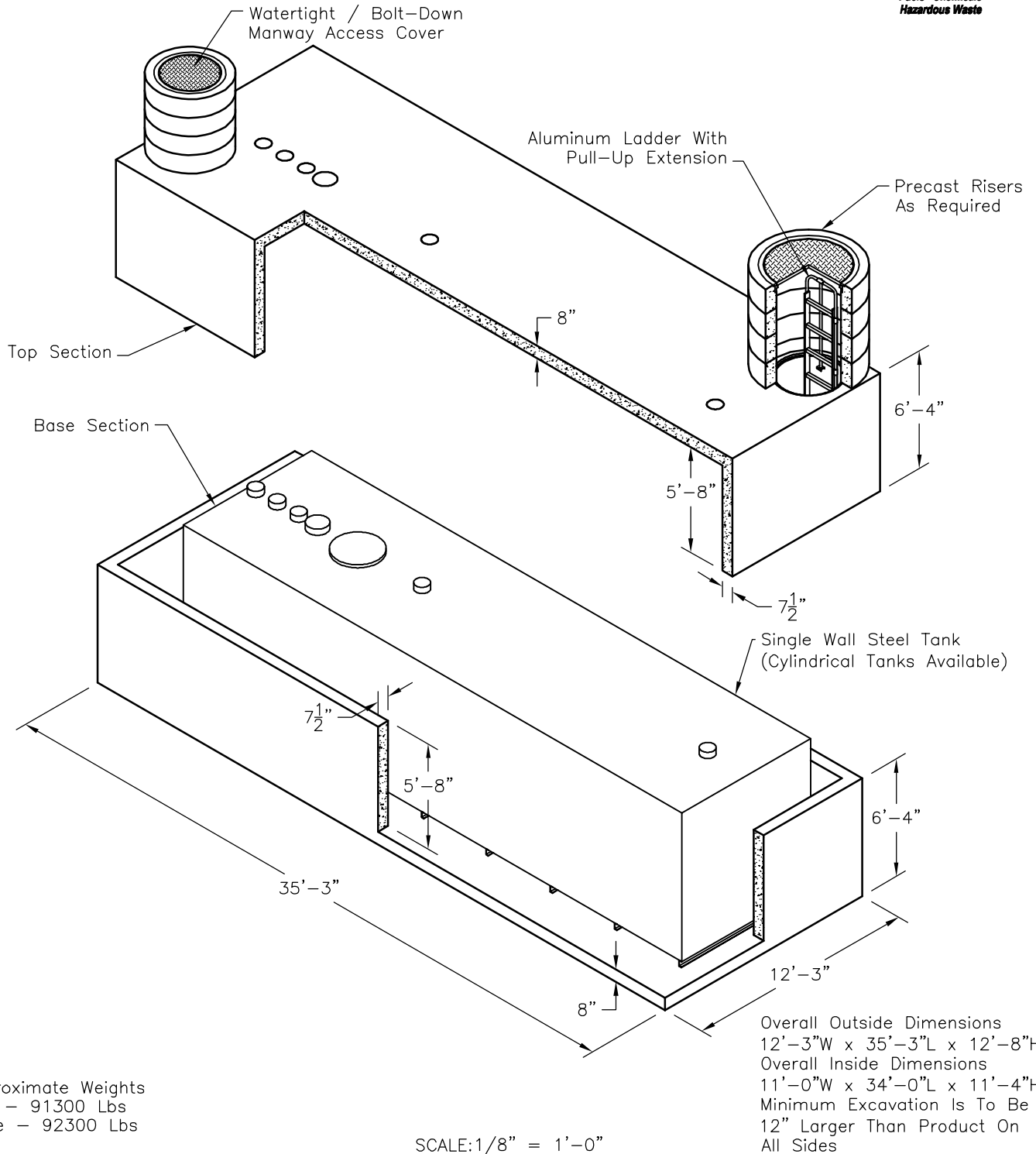




NOTE: Penetrations and Tank Dimensions Shown Are For Illustration Purposes Only. Actual Penetration Sizes & Locations and Tank Dimensions & Capacity Will Vary According To Customer's needs.



Fuels - Chemicals
Hazardous Waste



Approximate Weights
 Top - 91300 Lbs
 Base - 92300 Lbs

SCALE: 1/8" = 1'-0"

Oldcastle Precast
 UTILITY VAULT™ Division
 Southern California
 Fontana, San Diego, Santa Paula
 Phone: 800-626-3860 Fax: 909-428-3737

ContVlt 1134136CV

FILE NAME: 070UEE1134CVFV.DWG

ISSUE DATE: September 2001

www.oldcastleprecast.com

11'-0" x 34'-0" x 11'-4"
Secondary Containment
Standard Layout

Copyright © 2008 Oldcastle Precast, Inc.