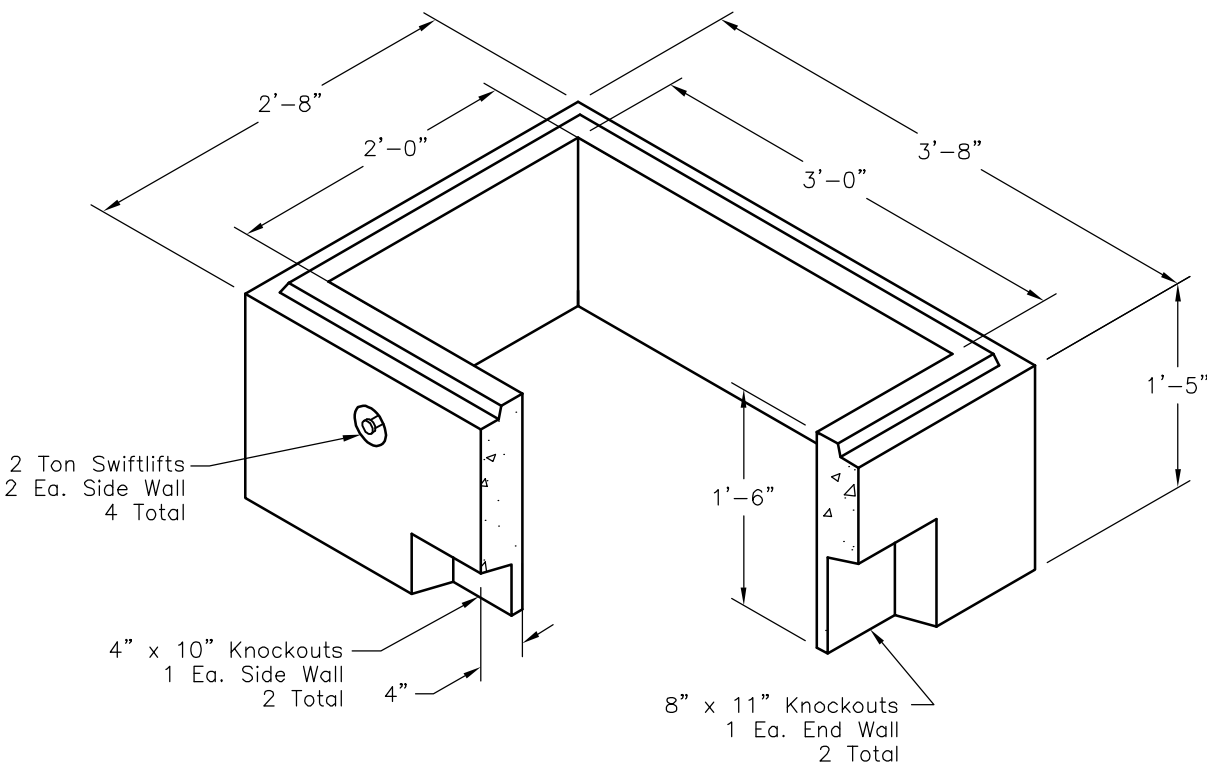
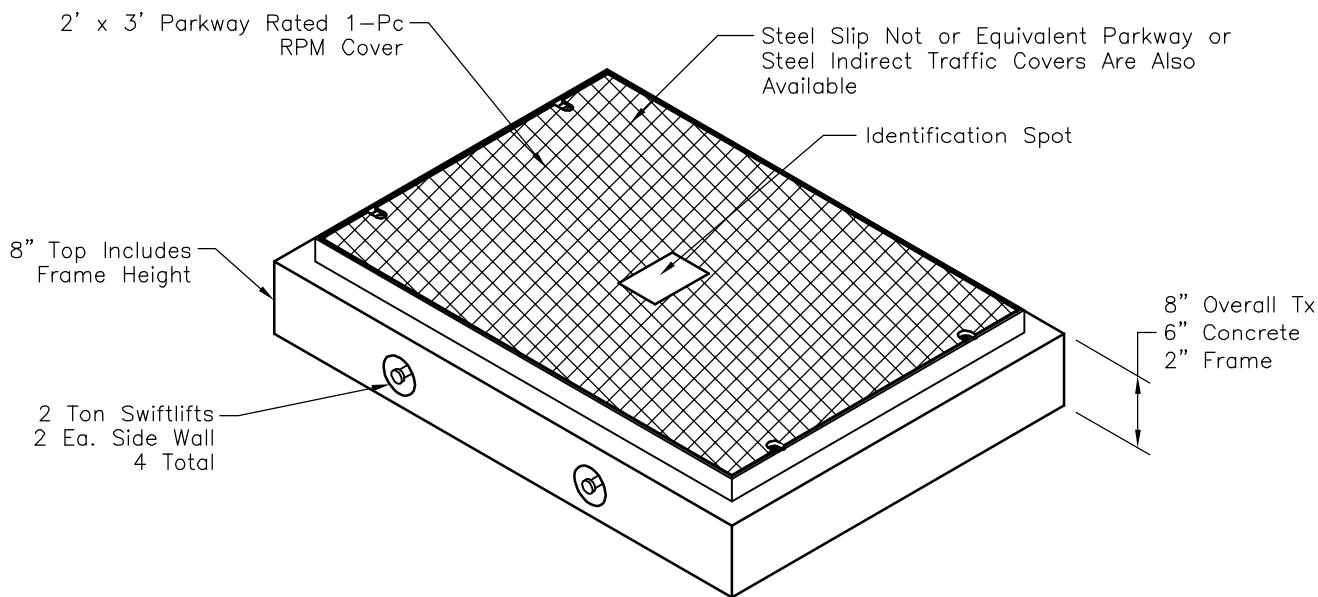


*Installer To Confirm Adequate Soil Bearing Capacity
If This Vault Is Installed In A Traffic Area.



Overall Outside Dimensions
2'-8"W x 3'-8"L x 26"H
Overall Inside Dimensions
2'-0"W x 3'-0"L x 26"H

Approximate Weights
Base - 800 Lbs

SCALE: 3/4" = 1'-0"

Oldcastle Precast
UTILITY VAULT™ Division
Southern California
Fontana, San Diego, Santa Paula
Phone: 800-626-3860 Fax: 909-428-3737

LADWP 2326PB

FILE NAME: 070UEP2326PBLA.DWG

ISSUE DATE: June 2004

www.oldcastleprecast.com

2'-0" X 3'-0" X 2'-2"
Pull Box E-492 Group 1
Los Angeles D.W.P.

Copyright © 2008 Oldcastle Precast, Inc.