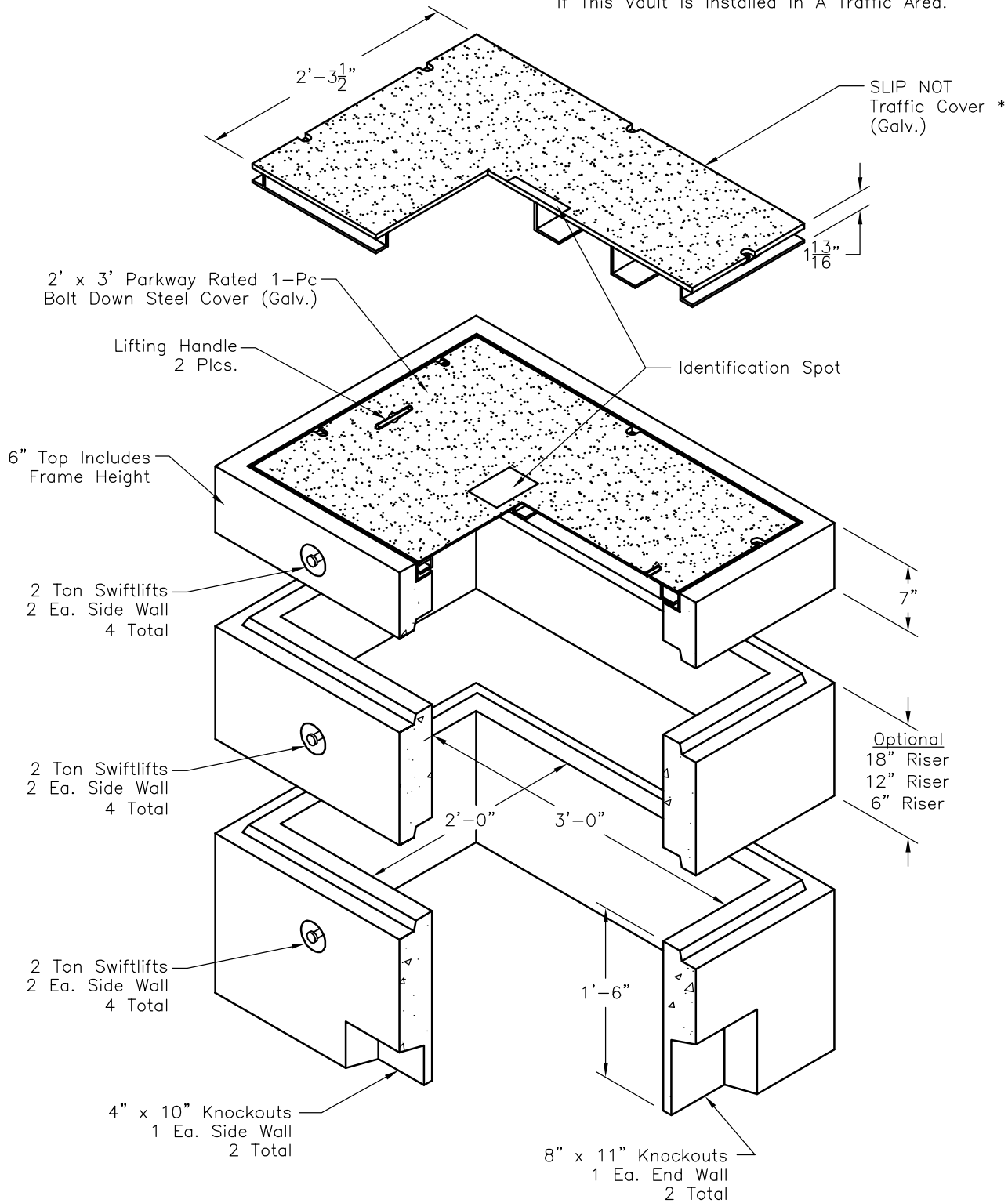


\*Installer To Confirm Aduquate Soil Bearing Capacity  
If This Vault Is Installed In A Traffic Area.



Approximate Weights  
 Base - 800 Lbs  
 6" Riser - 300 Lbs  
 12" Riser - 600 Lbs  
 18" Riser - 900 Lbs

Overall Outside Dimensions  
 2'-8"W x 3'-8"L x 24"H  
 Overall Inside Dimensions  
 2'-0"W x 3'-0"L x 24"H

SCALE: 3/4" = 1'-0"

**Oldcastle Precast**  
 UV UTILITY VAULT™ Division  
 Southern California  
 Fontana, San Diego, Santa Paula  
 Phone: 800-626-3860 Fax: 909-428-3737

**SDG&E 2324PB**

FILE NAME: 070UEP2324PBSD.DWG

REVISED: May 2006

[www.oldcastleprecast.com](http://www.oldcastleprecast.com)

**2'-0" x 3'-0" x 2'-0"**  
**3313 Pull Box**  
**San Diego Gas & Electric**

Copyright © 2008 Oldcastle Precast, Inc.