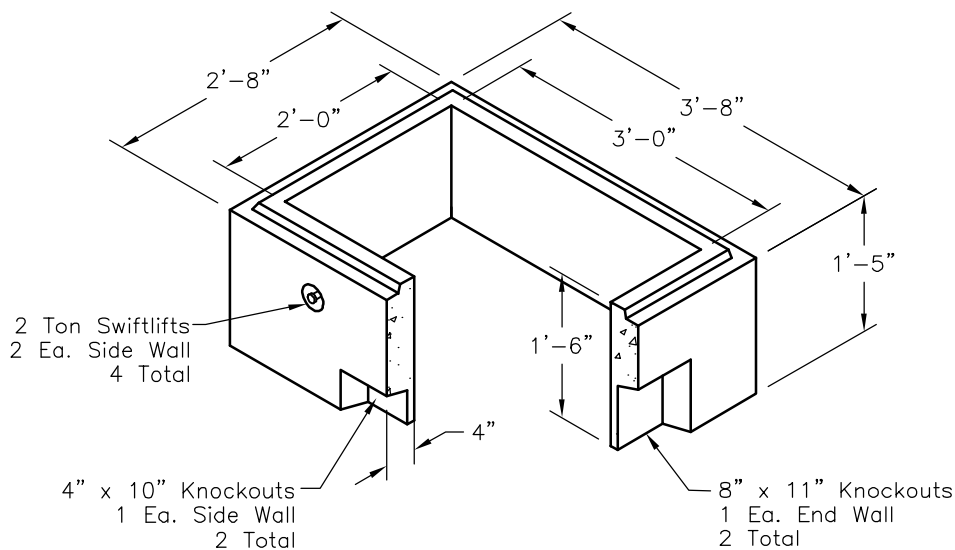
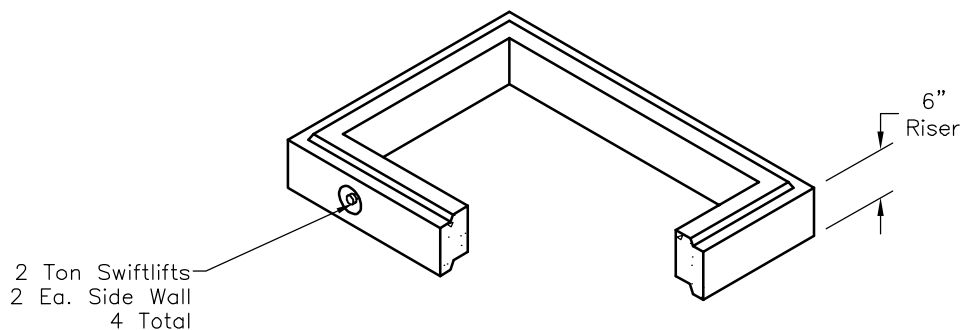
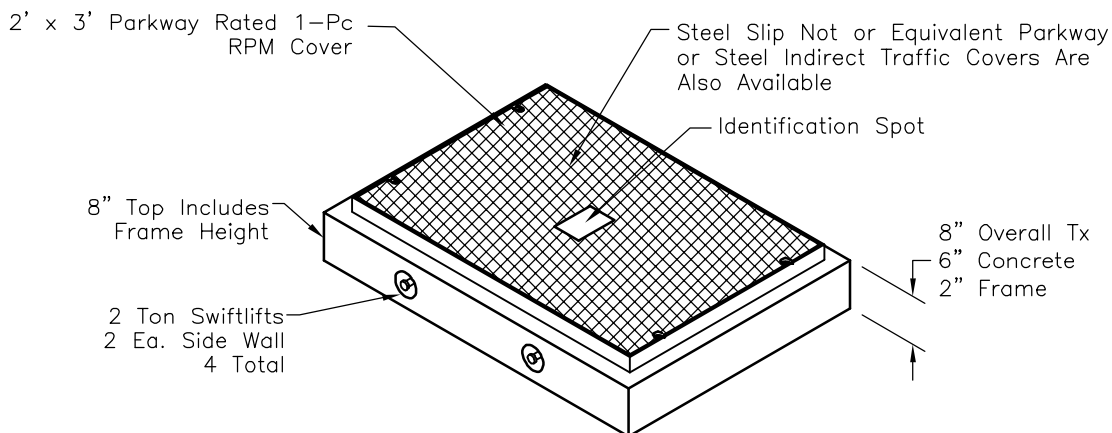


*Installer To Confirm Adequate Soil Bearing Capacity
If This Vault Is Installed In A Traffic Area.



Approximate Weights
Base - 800 Lbs
6" Riser - 300 Lbs

Overall Outside Dimensions
2'-8"W x 3'-8"L x 32"H
Overall Inside Dimensions
2'-0"W x 3'-0"L x 32"H

SCALE: 1/2" = 1'-0"



Oldcastle Precast®



UTILITY VAULT™ Division

Southern California
Fontana, San Diego, Santa Paula
Phone: 800-626-3860 Fax: 909-428-3737

LADWP 2332PB

FILE NAME: 070UEP2332PBLA.DWG

ISSUE DATE: June 2004

www.oldcastleprecast.com

2'-0" x 3'-0" x 2'-8"
Pull Box E-492 Group 2
Los Angeles D.W.P.

Copyright © 2008 Oldcastle Precast, Inc.