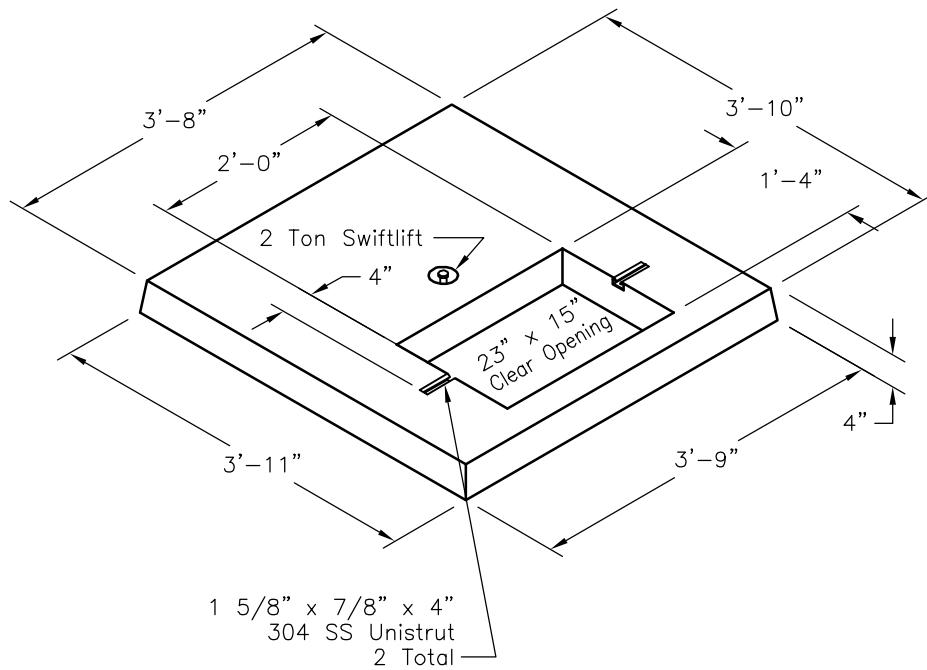




*Use With 3312 - 17" x 30" Handhole (Purchased)



Approximate Weight
Pad - 600 Lbs

SCALE: 1/2" = 1'-0"

Pad Bottom Dimensions
3'-9"W x 3'-11"L x 4"H
Pad Top Dimensions
3'-8"W x 3'-10"L x 4"H

 **Oldcastle Precast**[®]
 **UTILITY VAULT**[™] Division
Southern California
Fontana, San Diego, Santa Paula
Phone: 800-626-3860 Fax: 909-428-3737

SDG&E 444604TP

FILE NAME: 070UET4446TPSD.DWG

REVISED: May 2006

www.oldcastleprecast.com

3'-8" x 3'-10" x 4"
3421 Pad
San Diego Gas & Electric

Copyright © 2008 **Oldcastle** Precast, Inc.