

6" Top W/ 3'-0" x 5'-0"
Two Pc. RPM Cover

Steel Slip Not or Equivalent Parkway or
Steel Indirect Traffic Covers Are Also
Available

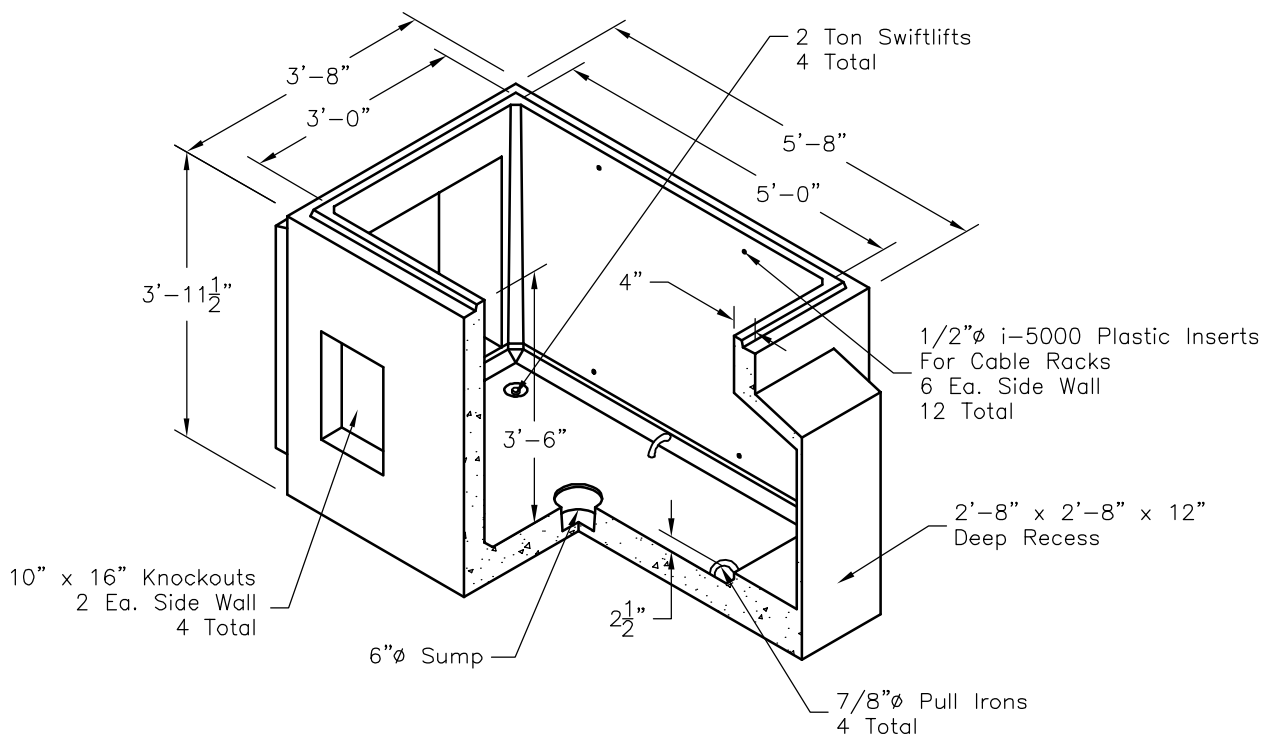
Identification Spot

2 Ton Swiftlifts
2 Ea. Side Wall
4 Total

8" Overall Tx
6" Concrete
2" Frame

2 Ton Swiftlifts
2 Ea. Side Wall
4 Total

OPTIONAL
12" Riser
6" Riser



Approximate Weights
Base - 6100 Lbs

SCALE: 3/8" = 1'-0"

Overall Outside Dimensions
3'-8"W x 7'-2"L x 55 1/2"H
Overall Inside Dimensions
3'-0"W x 5'-0"L x 48"H



Southern California
Fontana, San Diego, Santa Paula
Phone: 800-626-3860 Fax: 909-428-3737

LADWP 3548RP

FILE NAME: 070UEP3548RPLA.DWG

REVISED: May 2006

www.oldcastleprecast.com

3'-0" x 5'-0" x 4'-0"
Recess Pullbox
Los Angeles D.W.P.

Copyright © 2008 Oldcastle Precast, Inc.