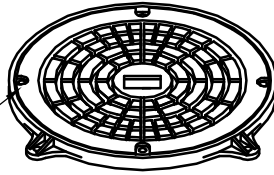
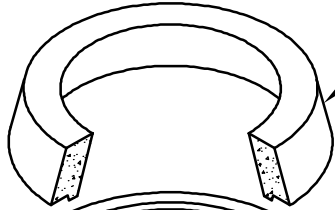


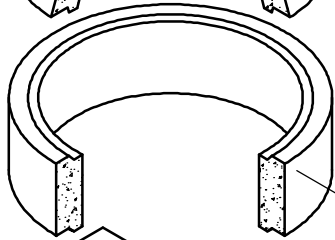
Alhambra A-1106 Traffic Rated, Bolt down Type or Equivalent Frame & Cover On Center Both Directions



36" x 30" x 9" Cone

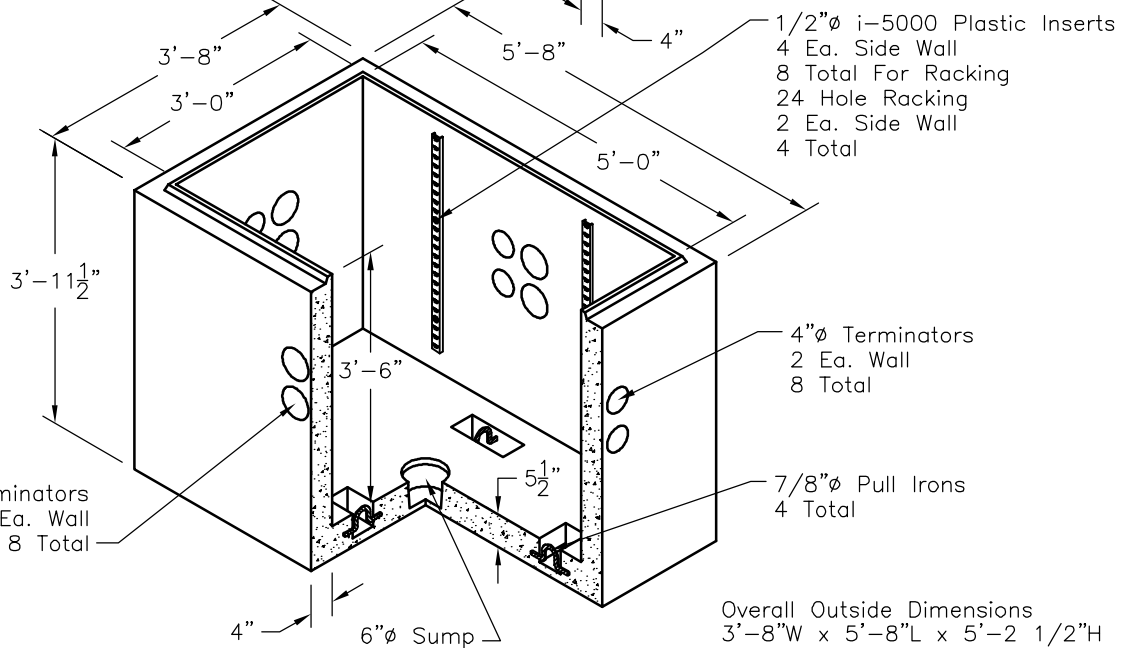
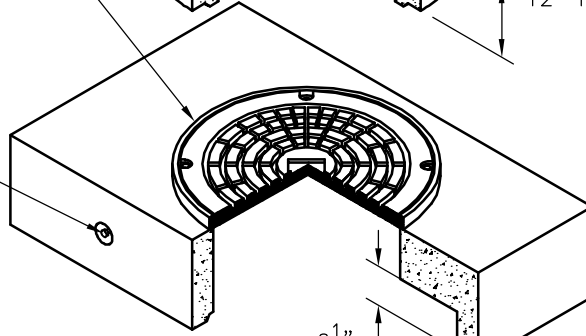


A-1106 Cast In Cover



Optional  
3" Riser  
6" Riser  
12" Riser

2 Ton Swiftlifts  
2 Ea. Side Wall  
4 Total



Approximate Weight  
 Top - 2000 Lbs  
 Base - 4400 Lbs  
 12" Riser - 680 Lbs  
 9" Cone - 610 Lbs

SCALE: 3/8" = 1'-0"

Overall Outside Dimensions  
 3'-8"W x 5'-8"L x 5'-2 1/2"H  
 Overall Inside Dimensions  
 3'-0"W x 5'-0"L x 48"H

**Oldcastle Precast**  
 UV UTILITY VAULT™ Division  
 Southern California  
 Fontana, San Diego, Santa Paula  
 Phone: 800-626-3860 Fax: 909-428-3737

**TELECOM 3548FO**

FILE NAME: 070UTF3548FOTC.DWG

ISSUE DATE: June 2004

[www.oldcastleprecast.com](http://www.oldcastleprecast.com)

**3'-0" x 5'-0" x 4'-0"**  
**Standard Fiber Optic**  
**Telecommunications**

Copyright © 2008 Oldcastle Precast, Inc.