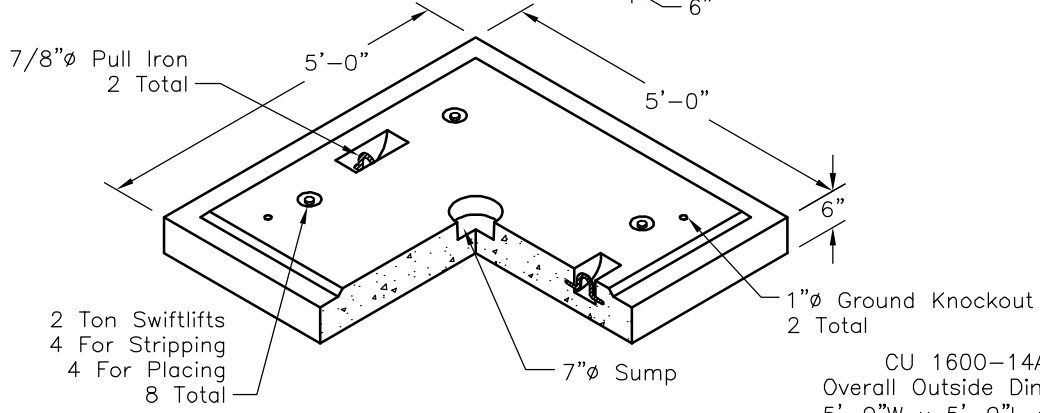
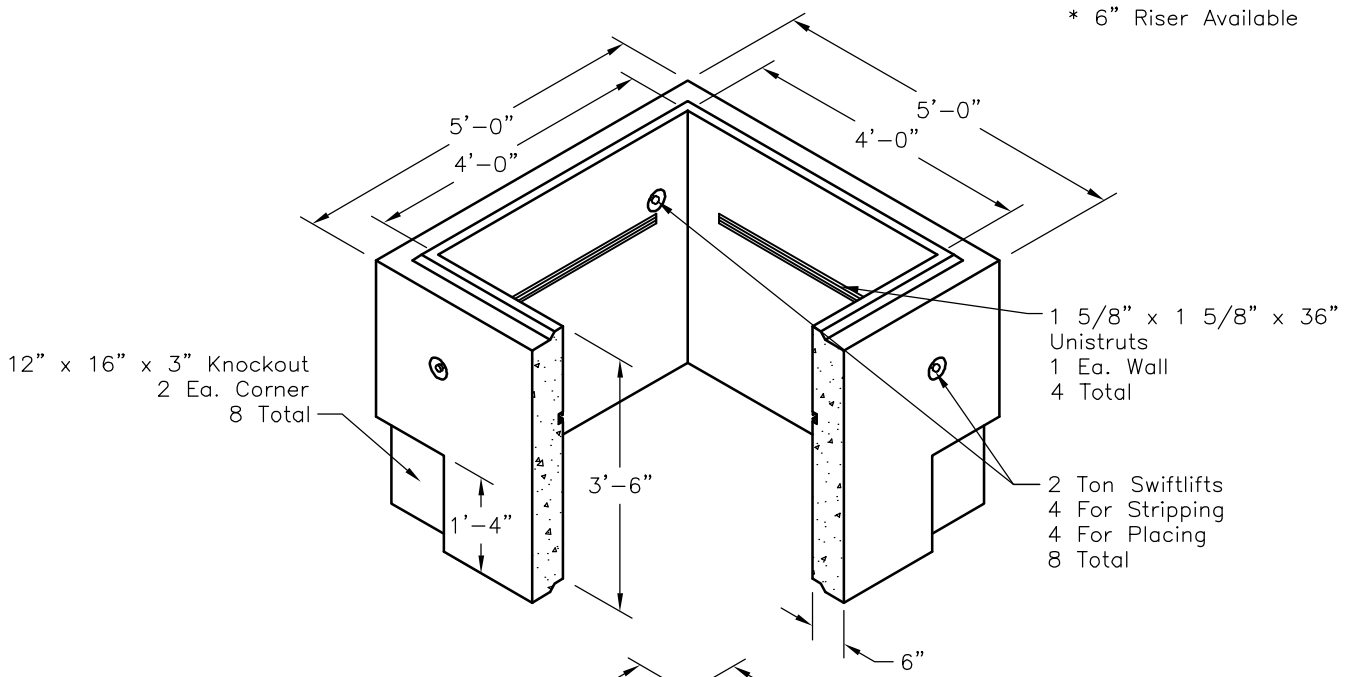


* 6" Riser Available



Approximate Weights
 Top - 1400 Lbs
 Base - 2100 Lbs
 Riser - 4400 Lbs

SCALE: 3/8" = 1'-0"

CU 1600-14A
 Overall Outside Dimensions
 5'-0"W x 5'-0"L x 4'-6"H
 Overall Inside Dimensions
 4'-0"W x 4'-0"L x 48"H
 Minimum Excavation Is To
 Be 12" Larger Than Product
 On All Sides

ANAHEIM 4448IHL
 FILE NAME: 070UEH4448IANA.DWG
 ISSUE DATE: May 2001
www.oldcastleprecast.com

4'-0" x 4'-0" x 4'-0"
Intercept Holeliner
City of Anaheim

Copyright © 2008 Oldcastle Precast, Inc.