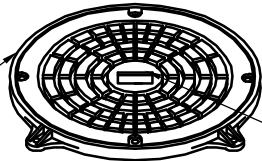
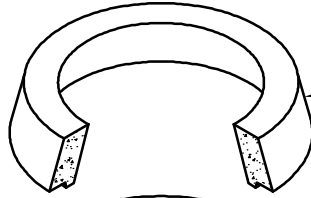


30"Ø A-1106 Alhambra
Traffic Frame & Cover
or Equivalent

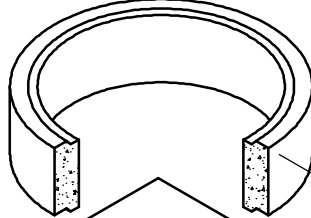


Customer Name To Be
In Lettering That Is 3" Long
& 1/4" High

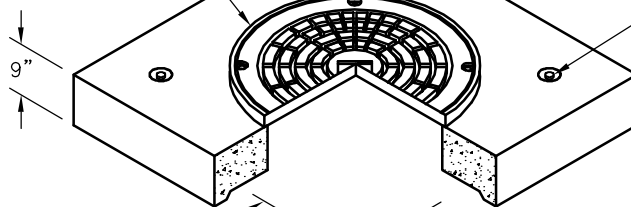


36" x 30" x 9" Cone

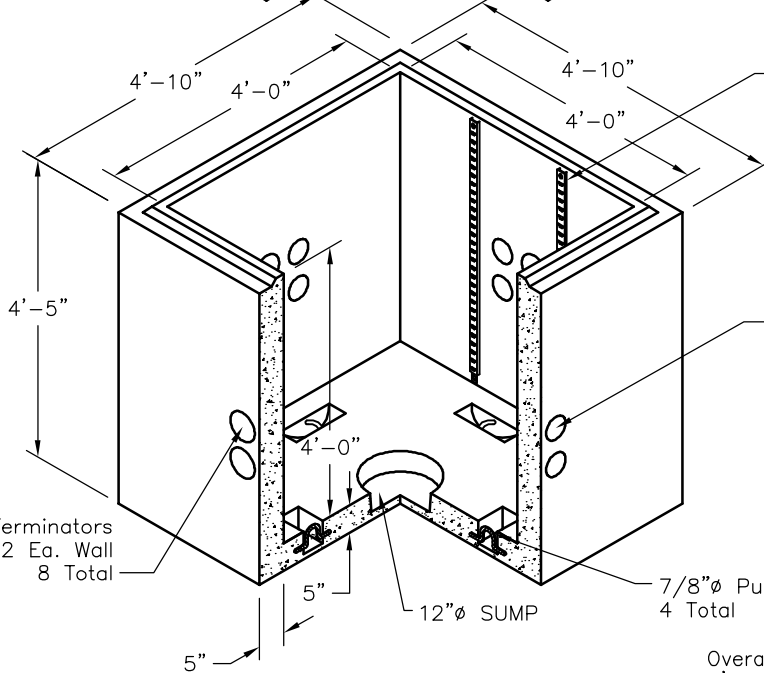
A-1106 Cast In Cover



Optional
3" Riser
6" Riser
12" Riser



4 Ton Swiftlifts
4 Total



30 Hole Racking
2 This Side Wall

4"Ø Terminators
2 Ea. Wall
8 Total

5"Ø Terminators
2 Ea. Wall
8 Total

7/8"Ø Pull Iron
4 Total

12"Ø SUMP

Approximate Weights
Top - 1900 Lbs
Base - 5900 Lbs
12" Ring - 680 Lbs

Overall Outside Dimensions
4'-10"W x 4'-10"L x 5'-1"H
Overall Inside Dimensions
4'-0"W x 4'-0"L x 48"H

SCALE: 3/8" = 1'-0"



Southern California
Fontana, San Diego, Santa Paula
Phone: 800-626-3860 Fax: 909-428-3737

TELECOM 4448FO

FILE NAME: 070UTF4448F0TC.DWG

ISSUE DATE: June 2004

www.oldcastleprecast.com

4'-0" x 4'-0" x 4'-0"
Standard Fiber Optic
Telecommunications

Copyright © 2008 Oldcastle Precast, Inc.