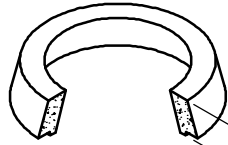
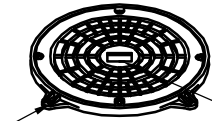
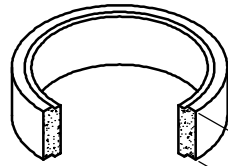


A1134 Traffic Cover and Frame
 A1136 Parkway Cover and Frame
 4 Total

Identification Spot

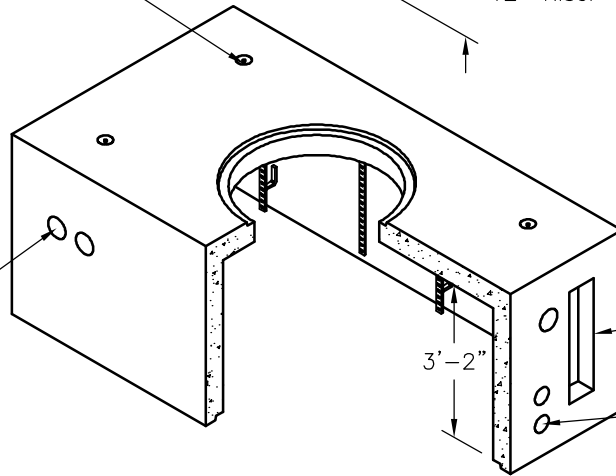


36" To 30" Reducer Ring
 Available In 9" and 6" Heights



OPTIONAL
 3" Riser
 6" Riser
 12" Riser

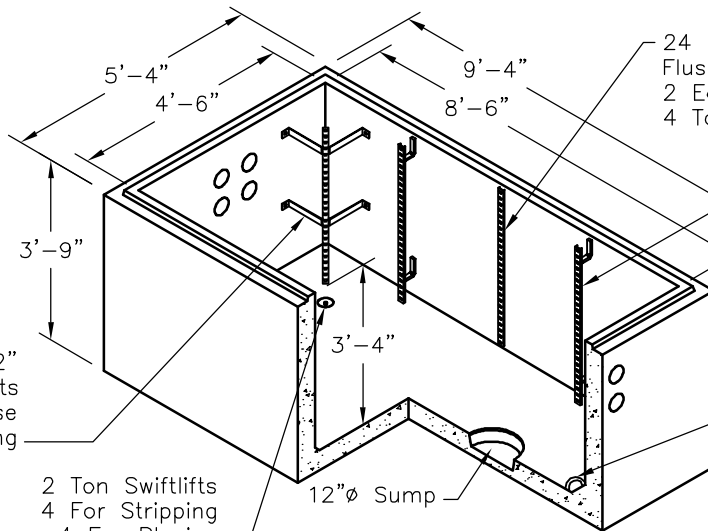
2 Ton Swiftlifts
 4 Total



5"Ø Knockouts
 4 Ea. Side Wall
 2 Ea. End Wall
 12 Total

6" x 27" Knockouts
 1 Ea. End Wall
 2 Total

4"Ø Terminators
 4 Ea. End Wall
 8 Total



24 Hole Racking
 Flush Mounted
 2 Ea. Side Wall
 4 Total

24 Hole Racking
 Mounted On 'S' Brackets
 4 Ea. Side Wall
 Top & Base
 8 Total

12" x 12"
 Corner Racking Brackets
 Ea. Corner Top & Base
 with 24 Hole Racking

2 Ton Swiftlifts
 4 For Stripping
 4 For Placing
 8 Total

7/8"Ø Pull Irons
 1 Ea. End Wall
 Top and Base
 4 Total

Overall Outside Dimensions
 5'-4"W x 9'-4"L x 7'-6"H
 Overall Inside Dimensions
 4'-6"W x 8'-6"L x 6'-6"H
 Minimum Excavation Is To
 Be 12" Larger Than Product
 On All Sides

Approximate Weights
 Top - 8700 Lbs
 Base - 8800 Lbs

SCALE: 1/4" = 1'-0"



Oldcastle Precast



UTILITY VAULT™ Division

Southern California
 Fontana, San Diego, Santa Paula
 Phone: 800-626-3860 Fax: 909-428-3737

VERIZON 468678MH

FILE NAME: 070UTT4686MHVZ.DWG

ISSUE DATE: July 2001

www.oldcastleprecast.com

4'-6" x 8'-6" x 6'-6"

**Manhole
 Verizon**

Copyright © 2008 Oldcastle Precast, Inc.