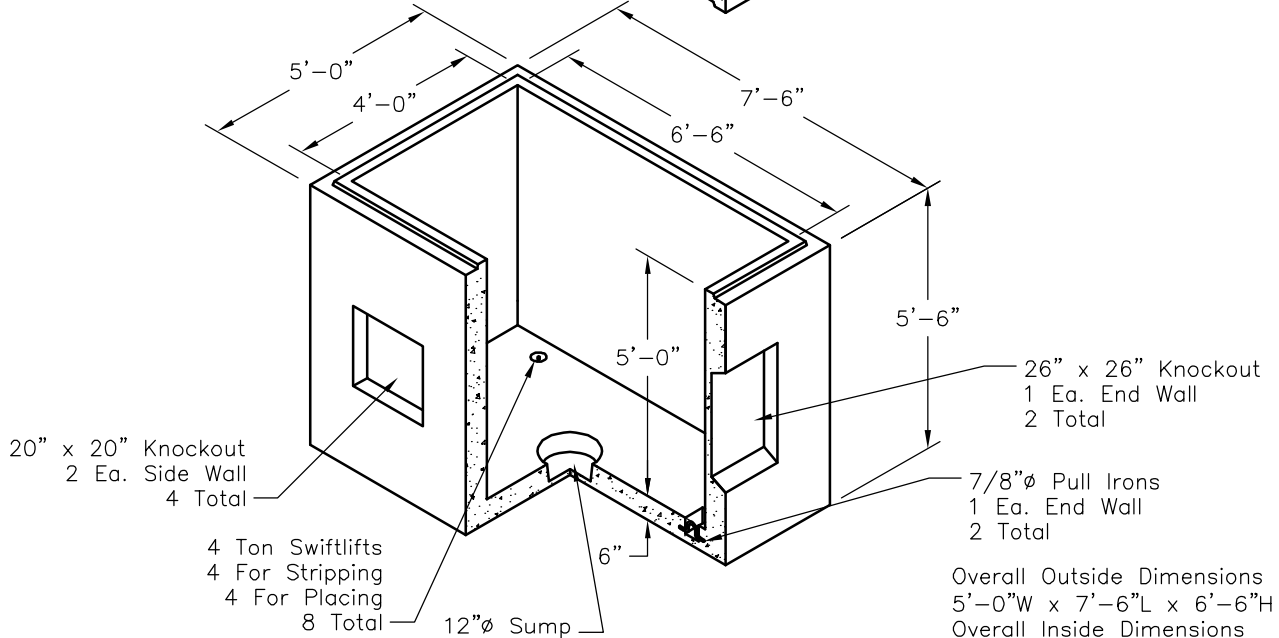
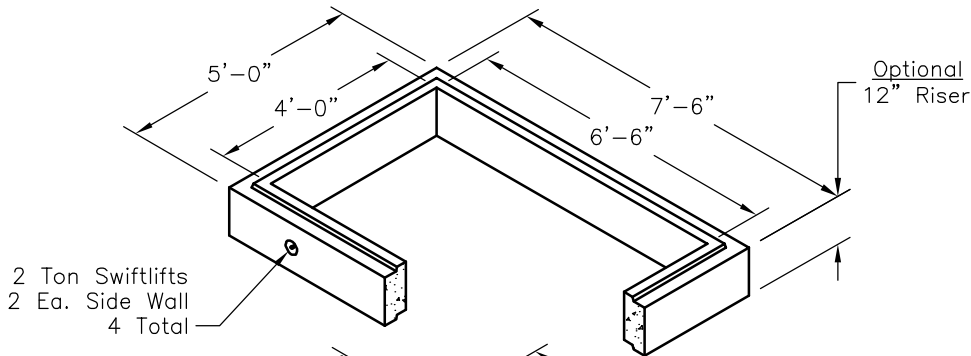
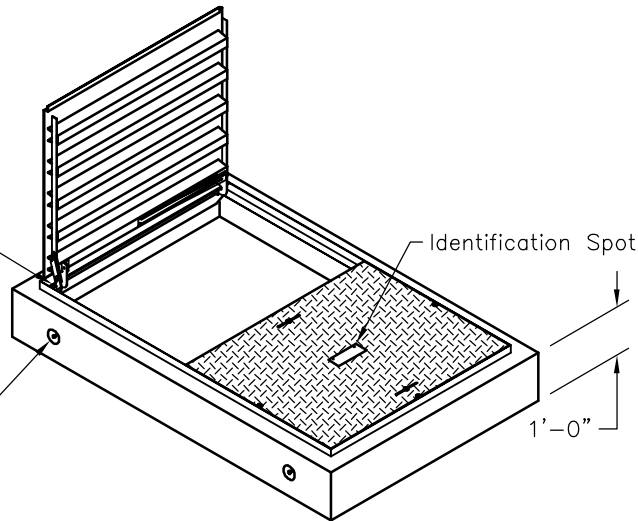


Traffic Hinged Cover and Frame, Parkway Covers Are Also Available

2 Ton Swiftlifts
2 Ea. Side Wall
4 Total



Approximate Weights
Top - 2400 Lbs
Base - 16200 Lbs
Riser - 2400 Lbs

SCALE: 1/4" = 1'-0"

Overall Outside Dimensions
5'-0"W x 7'-6"L x 6'-6"H
Overall Inside Dimensions
4'-0"W x 6'-6"L x 6'-0"H
Minimum Excavation Is To
Be 12" Larger Than Product
On All Sides



Southern California
Fontana, San Diego, Santa Paula
Phone: 800-626-3860 Fax: 909-428-3737

BURBANK 46672PB

FILE NAME: 070UEE46672PBB.DWG

REVISED: Dec. 2006

www.oldcastleprecast.com

4'-0" x 6'-6" x 6'-0"
Deep Base Pullbox
City of Burbank

Copyright © 2008 Oldcastle Precast, Inc.