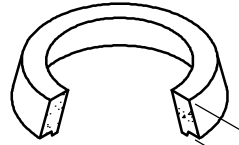
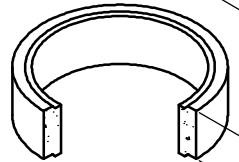


Parkway Cover and Frame
AFCO A1134 or A1136
or Equal

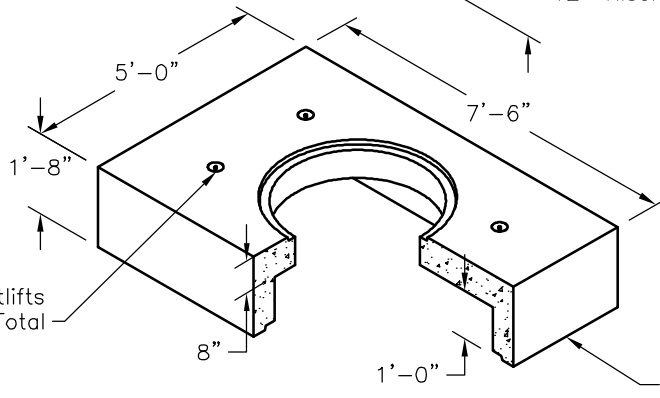
Total Standard Necking
Parkway 24" - Traffic 18"



36" To 30" Reducer Ring
Available In 9" and 6" Heights

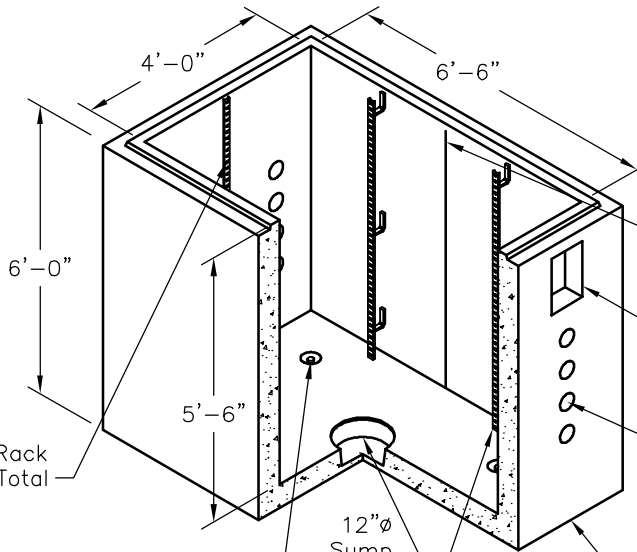


OPTIONAL
3" Riser
6" Riser
12" Riser



4 Ton Swiftlifts
4 Total

Top Section



43 Hole Cable Rack
Flush Mounted 4 Total

4 Ton Swiftlifts
4 For Stripping
4 For Handling
8 Total

Bonding Ribbon 64" Long
1 Plc. This Side Only

7" x 12" Knockouts
1 Ea. End Wall
2 Total

4" Termination
4 Ea. End Wall
8 Total

Base Section

43 Hole Cable Rack
Mounted On "S" Brackets
2 Plcs. This Side Only

Overall Outside Dimensions
5'-0"W x 7'-6"L x 7'-8"H
Overall Inside Dimensions
4'-0" x 6'-6"L x 6'-6"H
Minimum Excavation Is To
Be 12" Larger Than Product
On All Sides

Approximate Weights
Top - 4800 Lbs
Base - 13000 Lbs

SCALE: 1/4" = 1'-0"



Oldcastle Precast



UTILITY VAULT Division

Southern California
Fontana, San Diego, Santa Paula
Phone: 800-626-3860 Fax: 909-428-3737

VERIZON 46678MHD

FILE NAME: 070UTT466MHDVZ.DWG

REVISED: May 2006

www.oldcastleprecast.com

4'-0" x 6'-6" x 6'-6"
Manhole Deep Base
Verizon

Copyright © 2008 Oldcastle Precast, Inc.