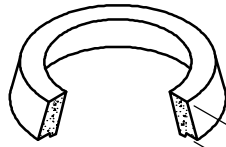
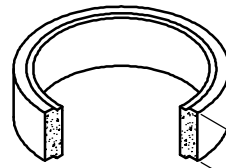


Parkway Frame & Cover
AFCO A1136 or Equal

Total Standard Necking
Parkway 24" - Traffic 18"



36" To 30" Reducer Ring
Available In 9" and 6" Heights



OPTIONAL
3" Riser
6" Riser
12" Riser

43 Hole Cable Rack
Mounted On "S" Brackets
2 Plcs. This Side Only

4 Ton Swiftlifts
4 Total

Bonding Ribbon 64" Long
1 Plc. This Side Only

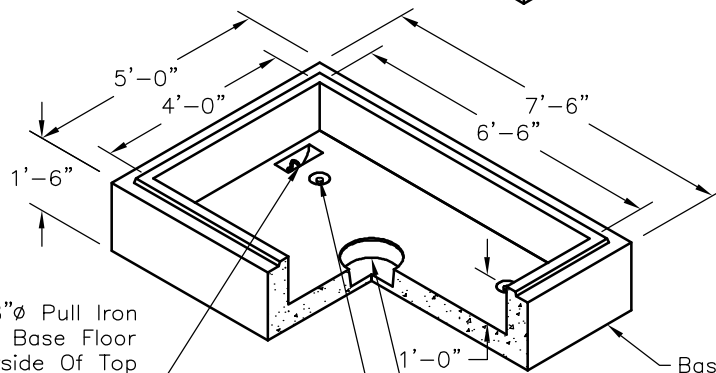
6'-3"

7" x 12" Knockout
1 Ea. End Wall
2 Total

Top Section

5'-6"

4"Ø Terminators
4 Ea. End Wall
8 Total



7/8"Ø Pull Iron
4 In Base Floor
& 4 Underside Of Top
8 Total

4 Ton Swiftlifts
4 Total

Base Section

12"Ø Sump

Approximate Weights
Top - 12400 Lbs
Base - 4500 Lbs

SCALE: 1/4" = 1'-0"

Overall Outside Dimensions
5'-0"W x 7'-6"L x 7'-8"H
Overall Inside Dimensions
4'-0"W x 6'-6"L x 6'-6"H
Minimum Excavation Is To
Be 12" Larger Than Product
On All Sides



Oldcastle Precast



UTILITY VAULT™ Division

Southern California
Fontana, San Diego, Santa Paula
Phone: 800-626-3860 Fax: 909-428-3737

VERIZON 46678MHS

FILE NAME: 070UTT466MHSVZ.DWG

ISSUE DATE: Sept. 2006

www.oldcastleprecast.com

**4'-0" x 6'-6" x 6'-6"
Manhole Shallow Base
Verizon**

Copyright © 2008 Oldcastle Precast, Inc.