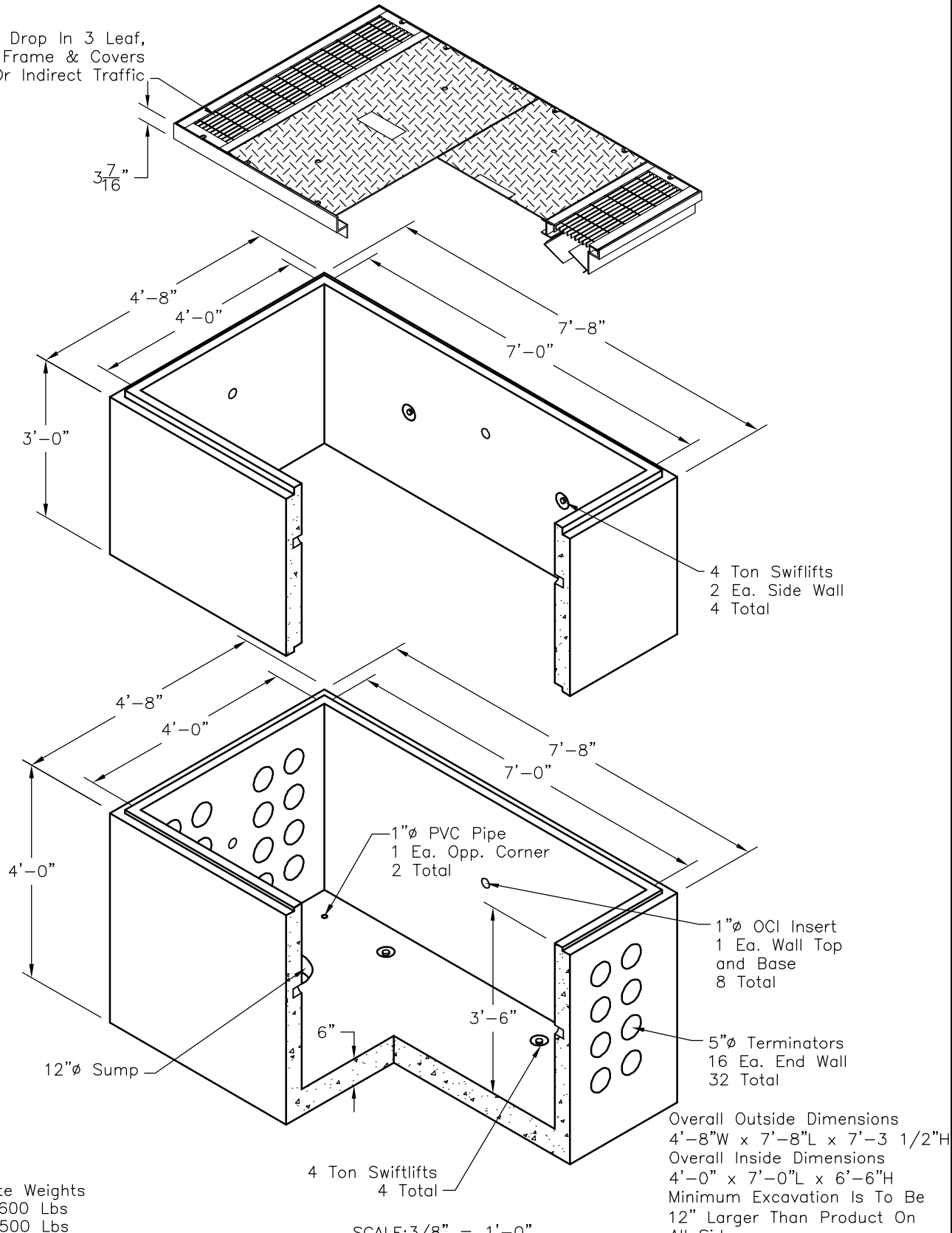


4' X 7' Drop In 3 Leaf,
2 Grate Frame & Covers
Parkway, Or Indirect Traffic



Approximate Weights
Base - 6600 Lbs
Riser - 3500 Lbs

SCALE: 3/8" = 1'-0"

Oldcastle Precast[®]
UV UTILITY VAULT[™] Division
Southern California
Fontana, San Diego, Santa Paula
Phone: 800-626-3860 Fax: 909-428-3737

PASADENA 4778VT
FILE NAME: 070UEE4778TVPD.DWG
REVISED: May 2006
www.oldcastleprecast.com

4'-0" x 7'-0" x 6'-6"
Transformer Vault
City of Pasadena
Copyright © 2008 Oldcastle Precast, Inc.