

Identification Spot — A1134 Traffic Cover and Frame
 A1136 Parkway Cover and Frame

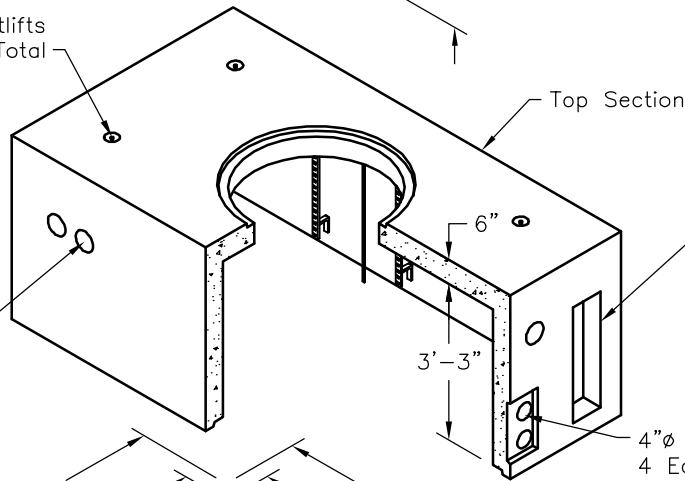
Total Standard Necking
 Parkway 30" — Traffic 24"

36" To 30" Reducer Ring
 Available In 9" and 6" Heights

OPTIONAL
 3" Riser
 6" Riser
 12" Riser

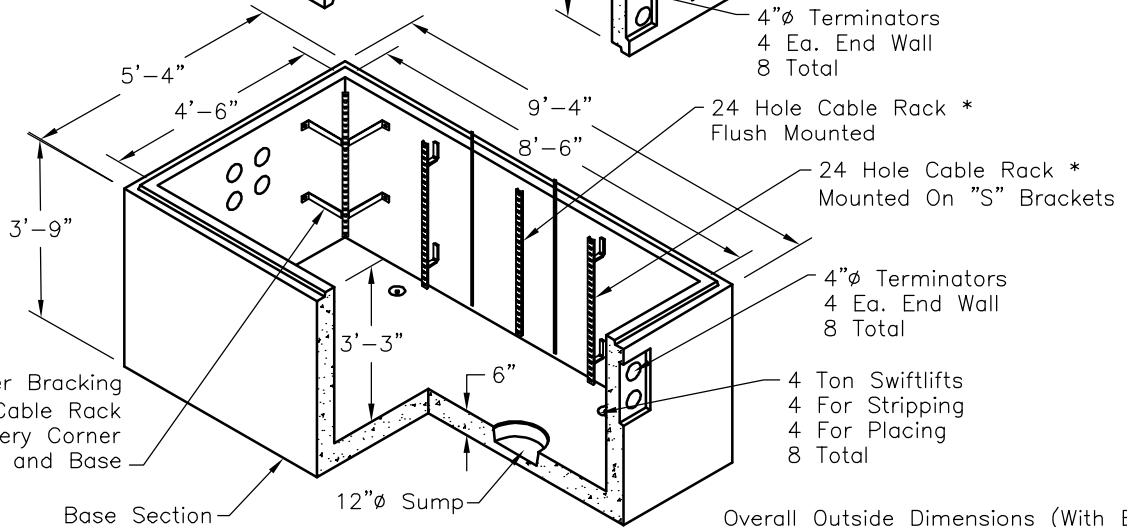
4 Ton Swiftlifts
 4 Total

5"Ø Knockouts
 4 Ea. Side Wall
 2 Ea. End Wall
 12 Total



6" x 27" Knockout
 1 Ea. End Wall
 2 Total

4"Ø Terminators
 4 Ea. End Wall
 8 Total



24 Hole Cable Rack *
 Flush Mounted

24 Hole Cable Rack *
 Mounted On "S" Brackets

4"Ø Terminators
 4 Ea. End Wall
 8 Total

4 Ton Swiftlifts
 4 For Stripping
 4 For Placing
 8 Total

12" x 12" Corner Bracking
 W/ 24 Hole Cable Rack
 Typ. In Every Corner
 Top and Base

Base Section

12"Ø Sump

Overall Outside Dimensions (With Beam)
 5'-10"W x 9'-10"L x 7'-6"H
 Overall Outside Dimensions
 5'-4"W x 9'-4"L x 7'-6"H
 Overall Inside Dimensions
 4'-6"W x 8'-6"L x 6'-6"H
 Minimum Excavation Is To
 Be 12" Larger Than Product
 On All Sides

* Note: Single 47 Hole Cable Racks May
 Be Supplied In Place Of (2) 24 Hole Cable Racks

Approximate Weights
 Top — 8600 Lbs
 Base — 9300 Lbs

SCALE: 1/4" = 1'-0"



Southern California
 Fontana, San Diego, Santa Paula
 Phone: 800-626-3860 Fax: 909-428-3737

AT&T 468678MH

FILE NAME: 070UTT4686NMHATT.DWG

REVISED: Feb. 2008

www.oldcastleprecast.com

**AT&T 4'-6" x 8'-6" x 6'-6"
 Manhole**

Copyright © 2008 Oldcastle Precast, Inc.