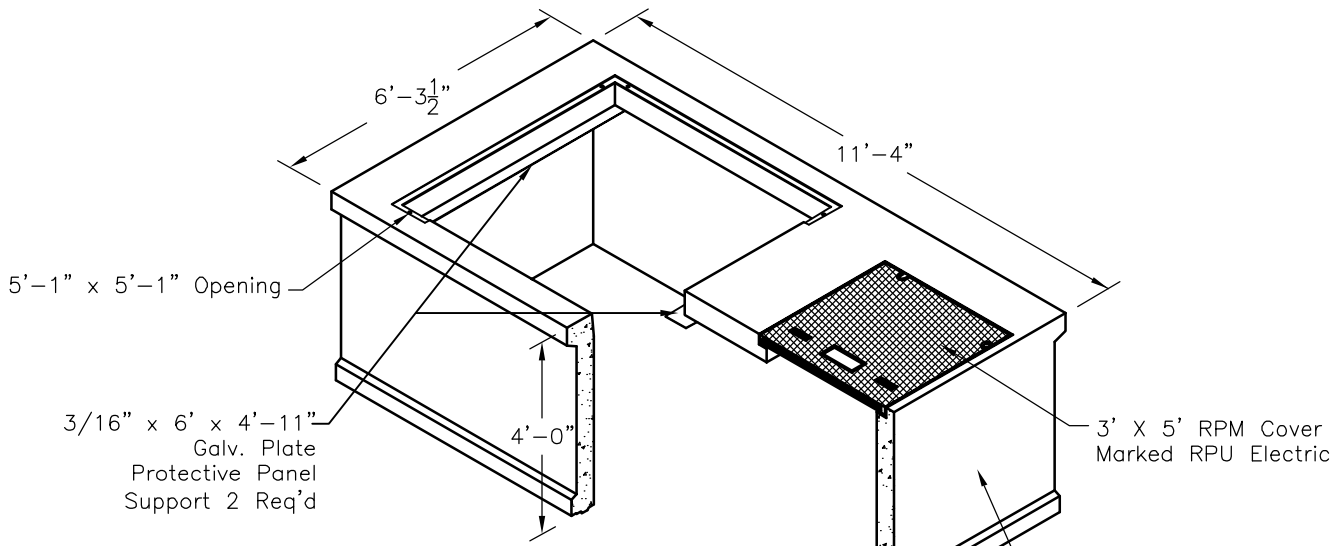
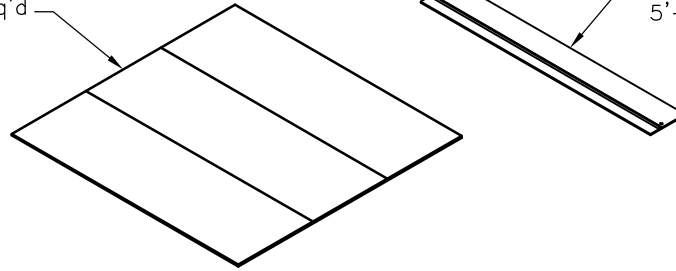
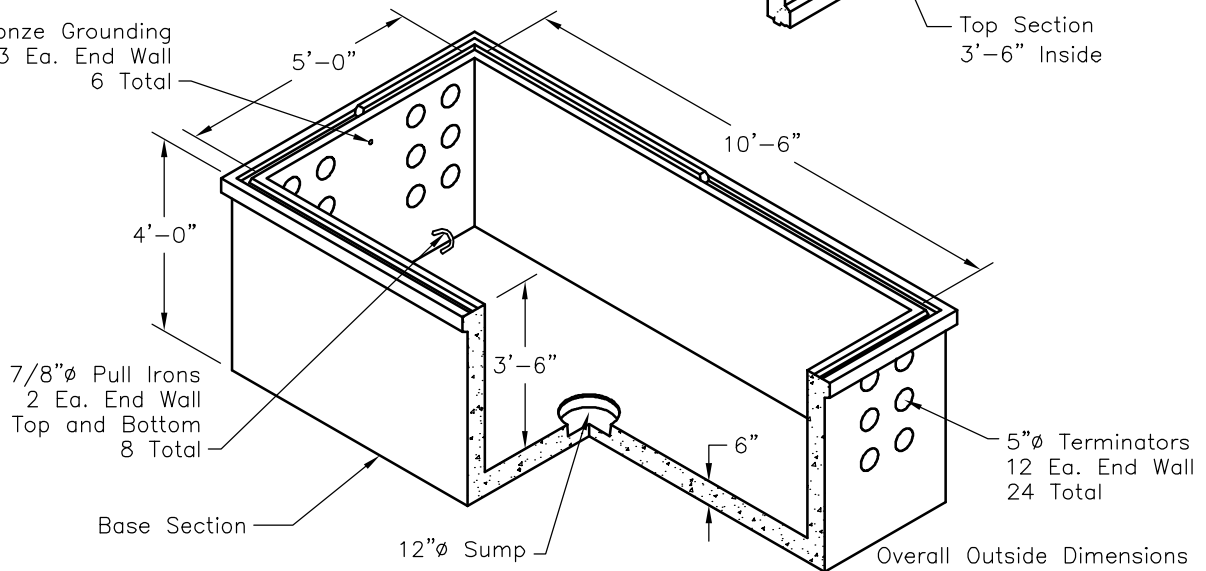


7/16" x 1'-10" x 5'-1" Protective Barrier Panels 3 Req'd

Steel Closure Plate
5'-6 1/4" x 10" x 1/4"



1/2"φ Bronze Grounding Inserts 3 Ea. End Wall 6 Total



Overall Outside Dimensions
6'-3 1/2"W x 11'-7"L x 8'-0"H
Overall Inside Dimensions
5'-0"W x 10'-6"L x 7'-0"H
Minimum Excavation Is To Be
12" Larger Than Product On
All Sides

Approximate Weights
Top - 12100 Lbs
Base - 11900 Lbs

SCALE: 1/4" = 1'-0"



Southern California
Fontana, San Diego, Santa Paula
Phone: 800-626-3860 Fax: 909-428-3737

Riverside 510684PMH

FILE NAME: 070UEE5106PMHR.DWG

ISSUE DATE: June 2004

www.oldcastleprecast.com

5'-0" x 10'-6" x 7'-0"
PMH
City of Riverside

Copyright © 2008 Oldcastle Precast, Inc.