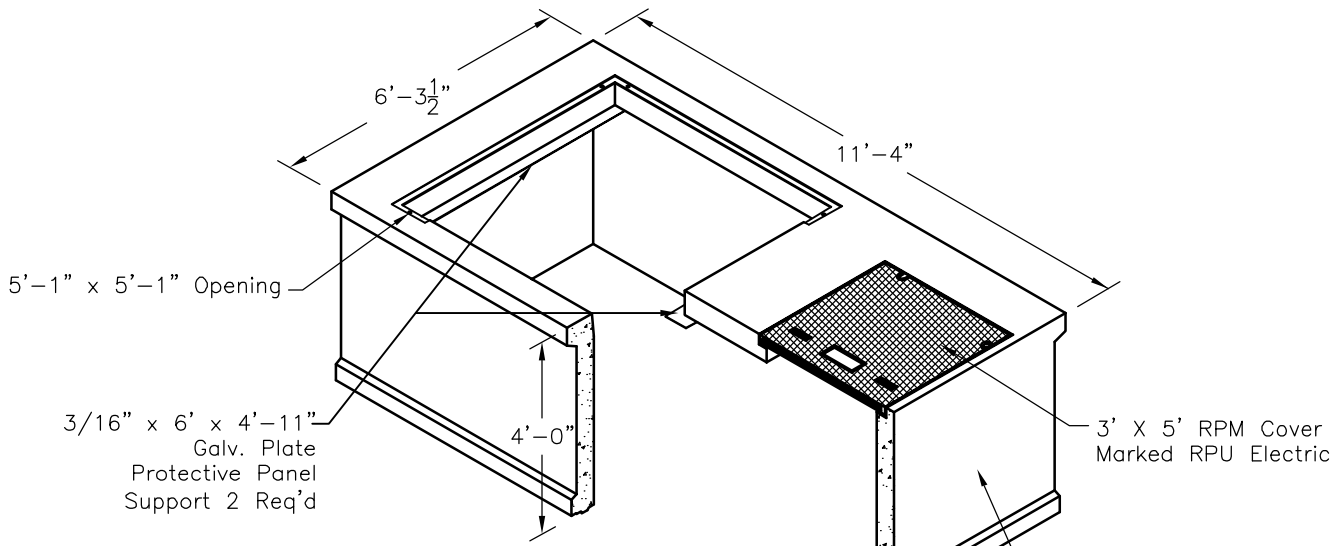
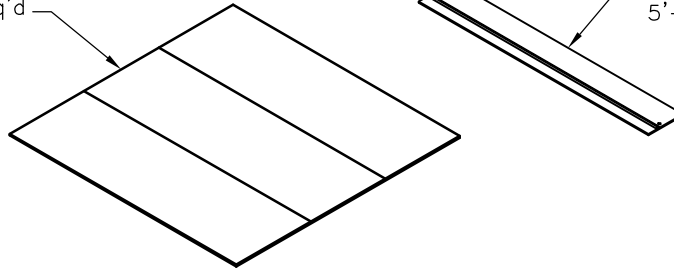
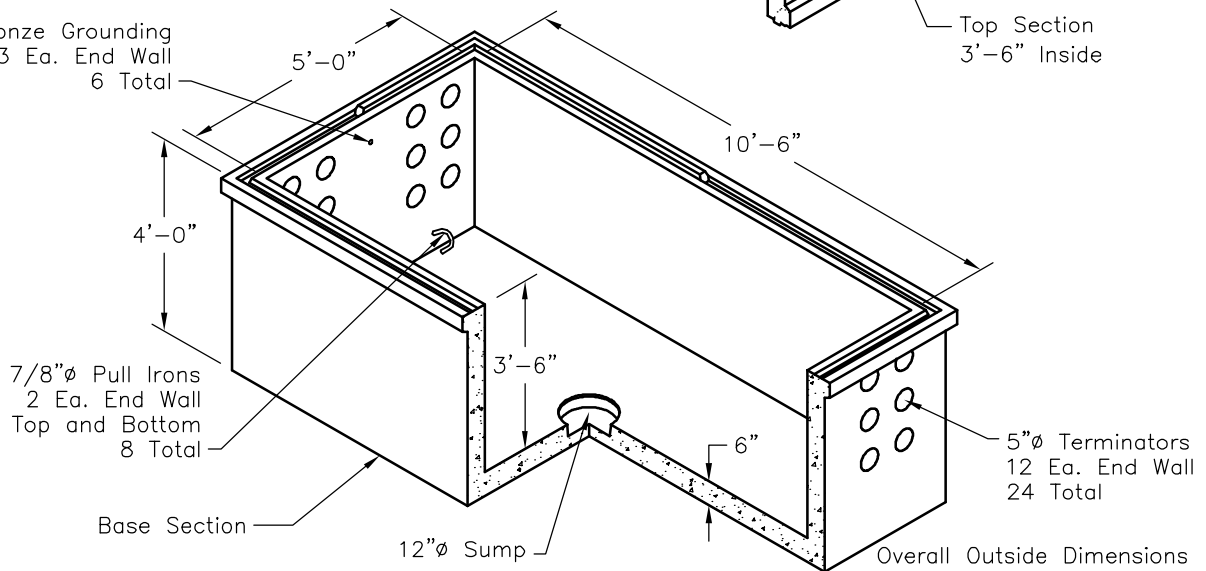


7/16" x 1'-10" x 5'-1" Protective  
Barrier Panels 3 Req'd

Steel Closure Plate  
5'-6 1/4" x 10" x 1/4"



1/2"Ø Bronze Grounding  
Inserts 3 Ea. End Wall  
6 Total



Overall Outside Dimensions  
6'-3 1/2"W x 11'-7"L x 8'-0"H  
Overall Inside Dimensions  
5'-0"W x 10'-6"L x 7'-0"H  
Minimum Excavation Is To Be  
12" Larger Than Product On  
All Sides

Approximate Weights  
Top - 12100 Lbs  
Base - 11900 Lbs

SCALE: 1/4" = 1'-0"



Southern California  
Fontana, San Diego, Santa Paula  
Phone: 800-626-3860 Fax: 909-428-3737

**Riverside 510684PMH**

FILE NAME: 070UEE5106PMHR.DWG

ISSUE DATE: June 2004

[www.oldcastleprecast.com](http://www.oldcastleprecast.com)

**5'-0" x 10'-6" x 7'-0"**  
**PMH**  
**City of Riverside**

Copyright © 2008 Oldcastle Precast, Inc.