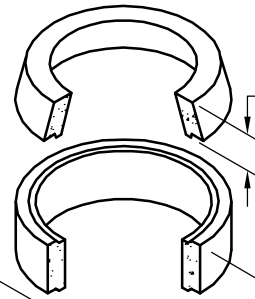


Traffic Cover and Frame
AFCO A1108 or Equal

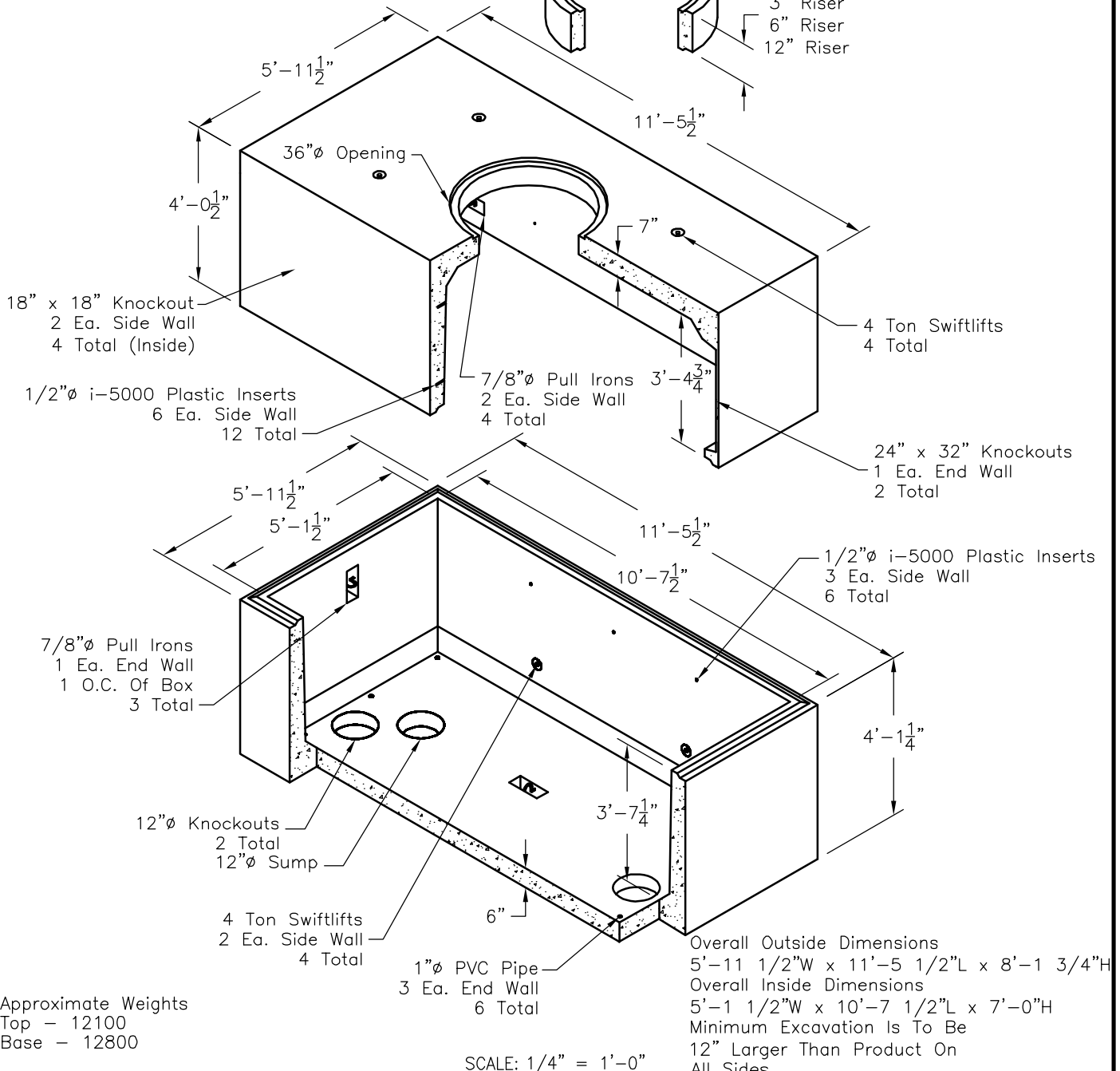


Identification Spot

36" To 30" Reducer Ring
Available In 9" and 6" Heights



Optional
3" Riser
6" Riser
12" Riser



Approximate Weights
Top - 12100
Base - 12800

SCALE: 1/4" = 1'-0"

Oldcastle Precast
UTILITY VAULT™ Division
 Southern California
 Fontana, San Diego, Santa Paula
 Phone: 800-626-3860 Fax: 909-428-3737

LADWP 510684VT
 FILE NAME: 070UEE5106VTLA.DWG
 ISSUE DATE: June 2004
www.oldcastleprecast.com

5'-0" x 10'-6" x 7'-0"
G-354 Vault
Los Angeles D.W.P.

Copyright © 2008 **Oldcastle Precast, Inc.**