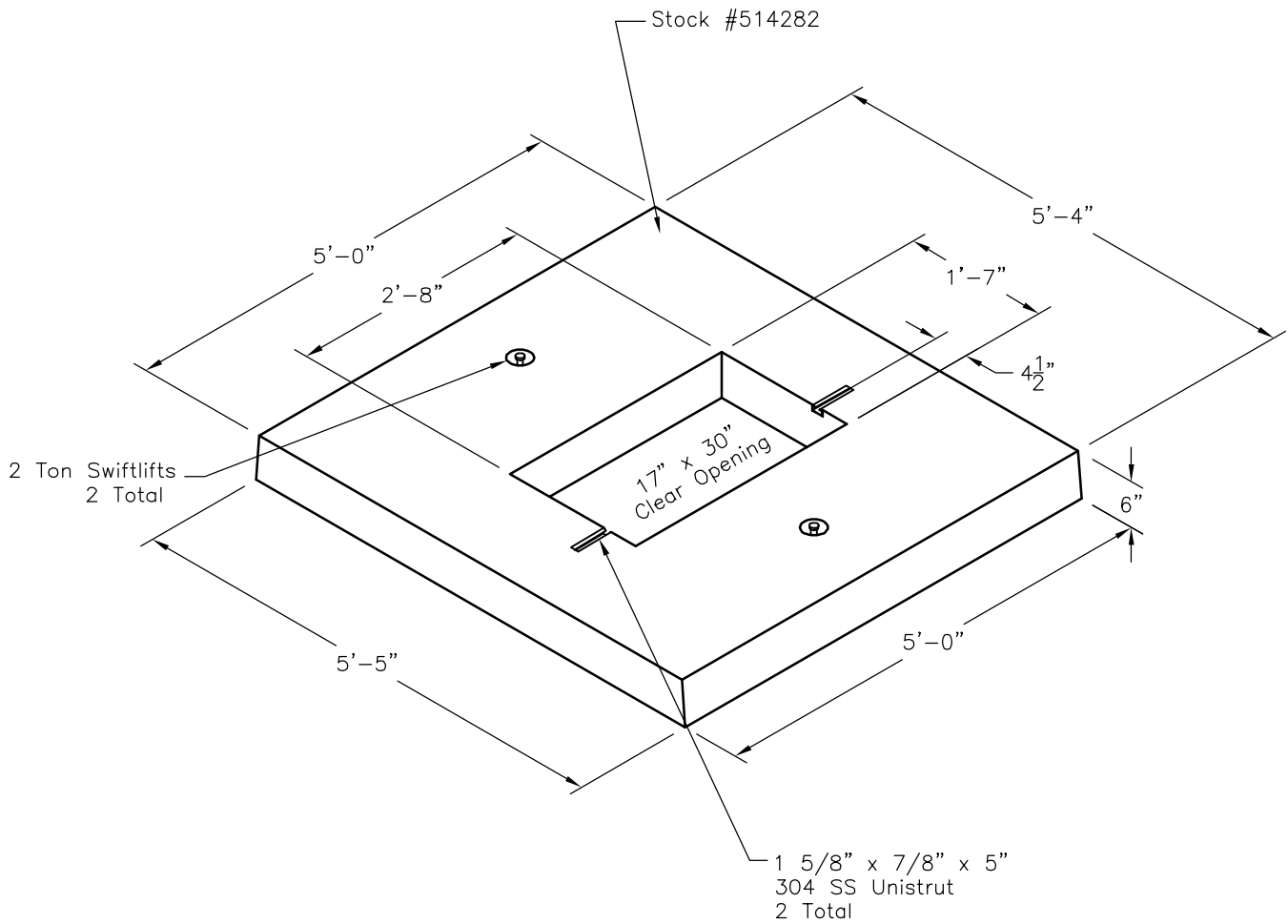




*Use With 3313 - 23-18 OB Base



Approximate Weight
Pad - 1700 Lbs

SCALE: 1/2" = 1'-0"

Pad Bottom Dimensions
5'-0"W x 5'-5"L x 6"H
Pad Top Dimensions
5'-0"W x 5'-4"L x 6"H

 **Oldcastle Precast**[®]
 **UTILITY VAULT**[™] Division
Southern California
Fontana, San Diego, Santa Paula
Phone: 800-626-3860 Fax: 909-428-3737

SDG&E 606406RP

FILE NAME: 070UET6064RPSD.DWG

REVISED: May 2006

www.oldcastleprecast.com

5'-0" x 5'-4" x 6"
3415 Service Restorer Pad
San Diego Gas & Electric

Copyright © 2008 **Oldcastle Precast, Inc.**