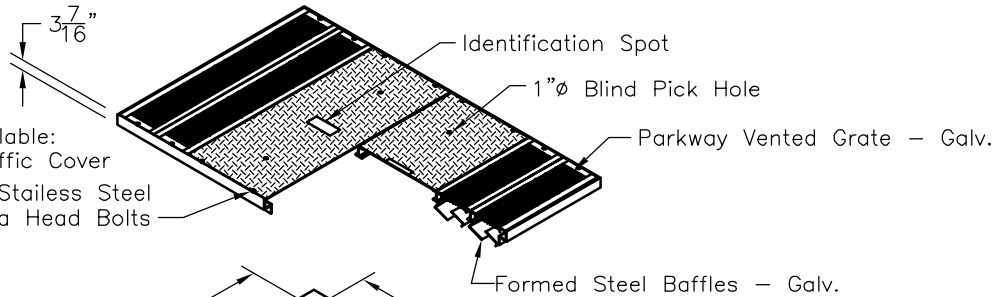
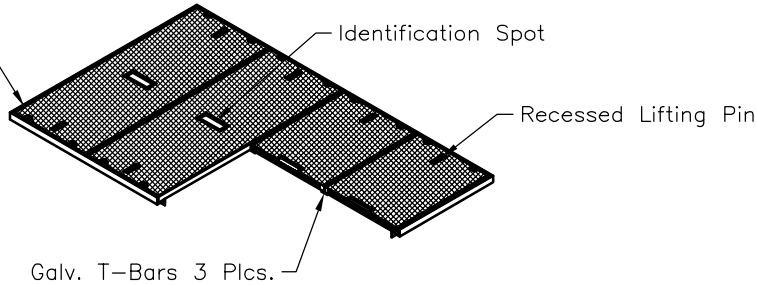
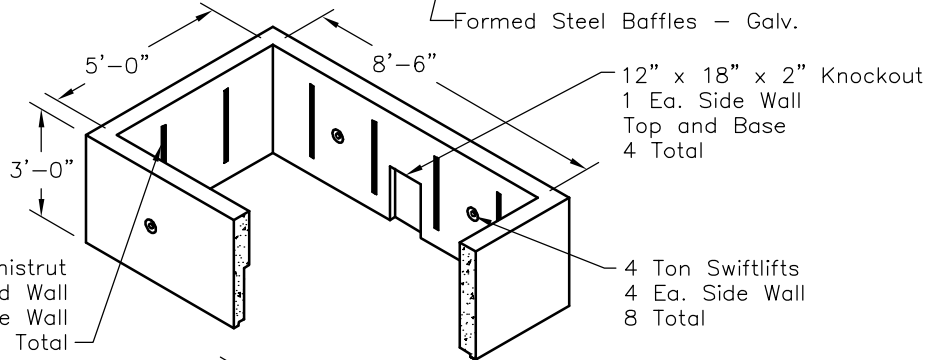


RPM Solid Parkway
Cover and Frame

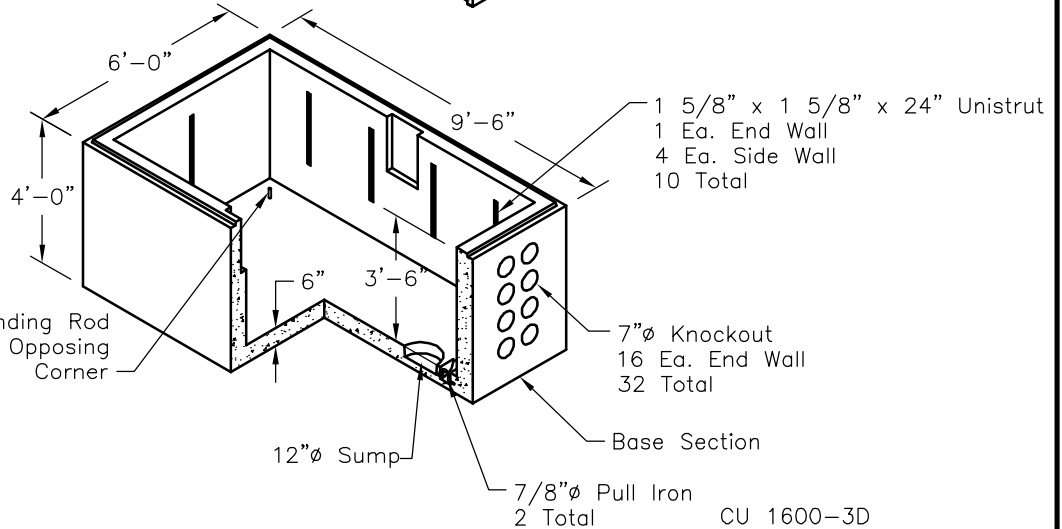
Also Available:
Vented RPM Parkway Cover
Solid Parkway Steel Cover
Vented Parkway Steel Cover
Steel Covers Are Galv.



* 6" Riser Available



1 5/8" x 1 5/8" x 24" Unistrut
2 Ea. End Wall
4 Ea. Side Wall
12 Total



5/8" ϕ Copper Clad Grounding Rod
2 Total 1 At Ea. Opposing
Corner

1 5/8" x 1 5/8" x 24" Unistrut
1 Ea. End Wall
4 Ea. Side Wall
10 Total

7" ϕ Knockout
16 Ea. End Wall
32 Total

7/8" ϕ Pull Iron
2 Total

CU 1600-3D

Overall Outside Dimensions
6'-0"W x 9'-6"L x 7'-3 5/16"H
Overall Inside Dimensions
5'-0"W x 8'-6"L x 6'-6"H
Minimum Excavation Is To Be
12" Larger Than Product On
All Sides

Approximate Weights
Base - 11200 Lbs
36" Riser - 6900 Lbs

SCALE: 3/16" = 1'-0"



Southern California
Fontana, San Diego, Santa Paula
Phone: 800-626-3860 Fax: 909-428-3737

ANAHEIM 586 4/7CST

FILE NAME: 070UEE4884CSTA.DWG

REVISED: May 2006

www.oldcastleprecast.com

5'-0" x 8'-6" x 4'-0"/7'-0"
CST Vault
City of Anaheim

Copyright © 2008 Oldcastle Precast, Inc.