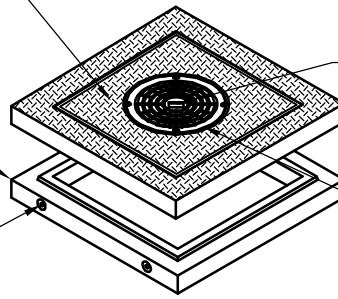


4' x 4' x 8" Concrete Cover
Use Felt Between Cover & Neck

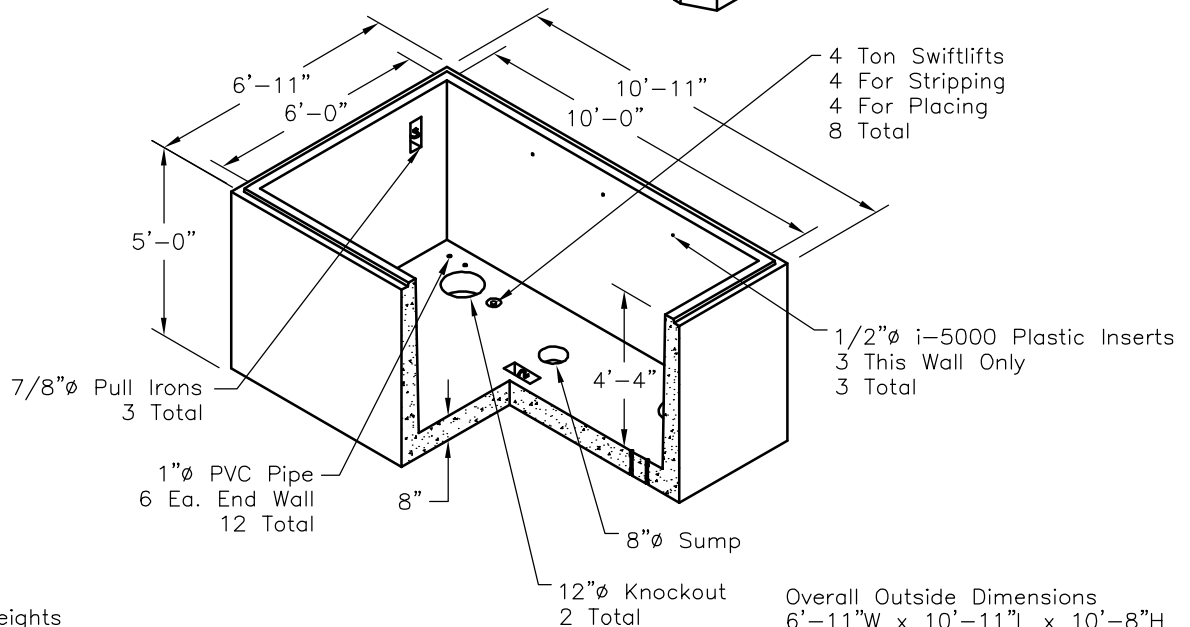
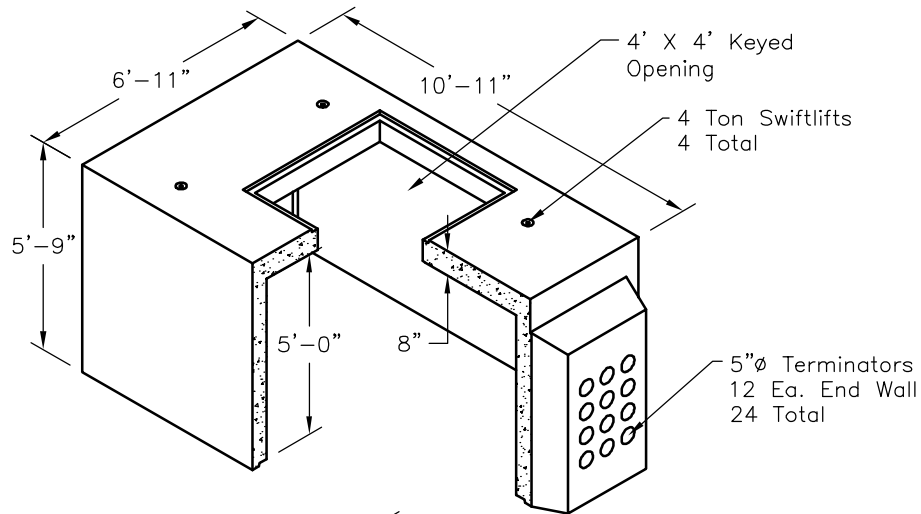
4' x 4' x 12" Neck Ring
Optional Risers Are Available
and Are Positioned Between
The Vault and The Neck Ring

2 Ton Swiftlifts
2 Ea. Side Wall
4 Total



Identification Spot

Traffic Cover and Frame
AFCO A1106 or Equal



Approximate Weights
Top - 17000 Lbs
Base - 17900 Lbs

SCALE: 3/16" = 1'-0"

Overall Outside Dimensions
6'-11"W x 10'-11"L x 10'-8"H
Overall Inside Dimensions
6'-0"W x 10'-0"L x 9'-4"H



Southern California
Fontana, San Diego, Santa Paula
Phone: 800-626-3860 Fax: 909-428-3737

PASADENA 61094VT

FILE NAME: 070UEE610VLTDP.DWG

ISSUE DATE: Feb. 2008

www.oldcastleprecast.com

**6'-0" x 10'-0" x 9'-4"
Vault
Pasadena**

Copyright © 2008 Oldcastle Precast, Inc.