

4' x 4' x 8" Plug  
Use Felt Between Plug & Neck

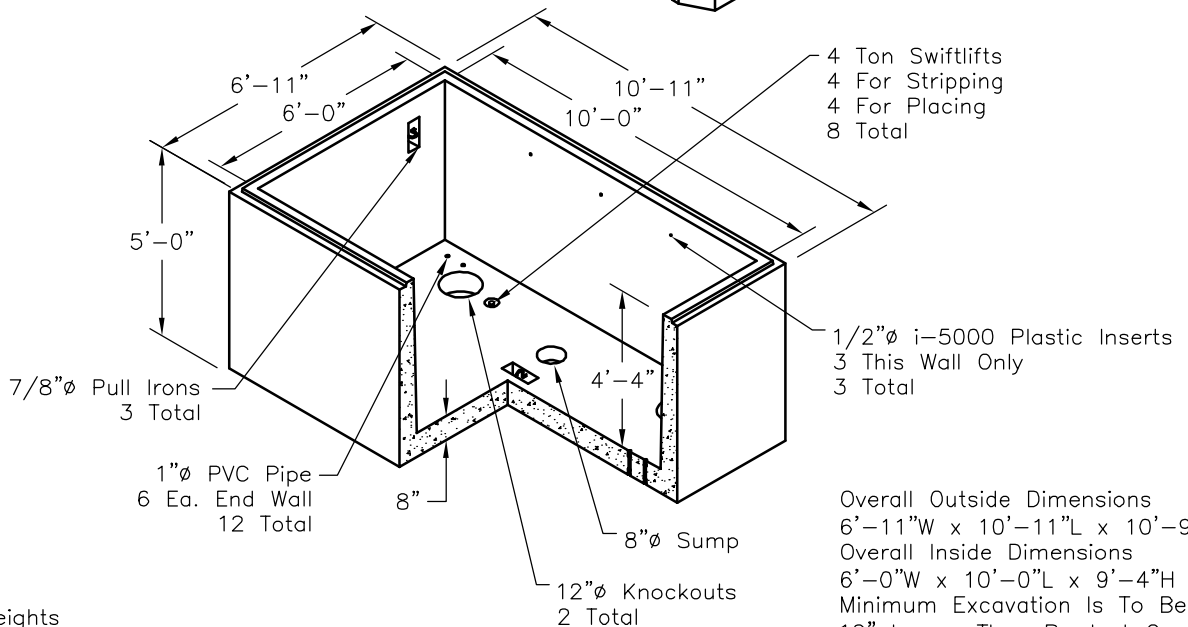
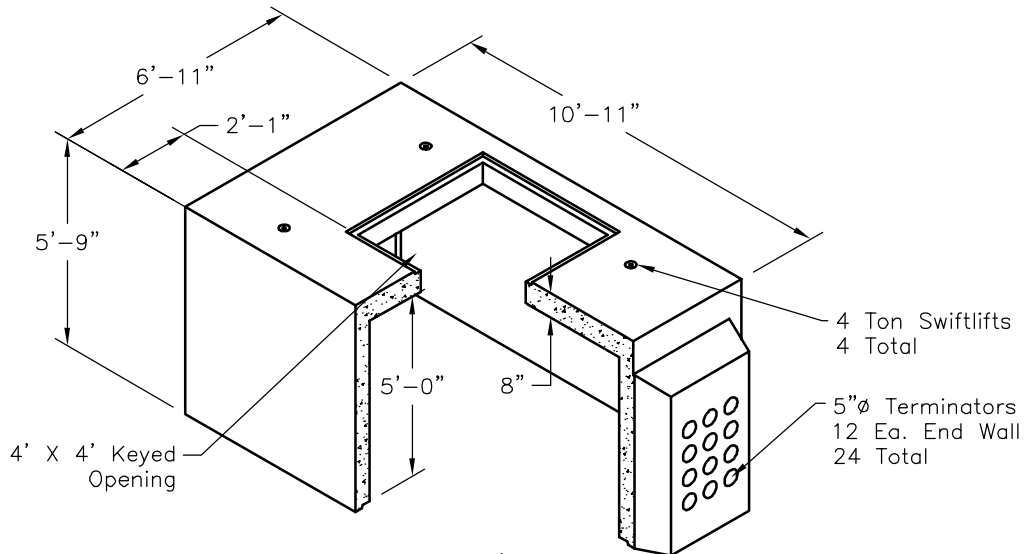
4' x 5' x 12" Neck Ring

Optional Risers Are Available  
and Are Positioned Between  
The Vault and The Neck Ring

2 Ton Swiftlifts  
2 Ea. Side Wall  
4 Total

Identification Spot

Traffic Cover and Frame  
AFCO A1106 or Equal



Approximate Weights  
Top - 17000 Lbs  
Base - 17900 Lbs

SCALE: 3/16" = 1'-0"

Overall Outside Dimensions  
6'-11"W x 10'-11"L x 10'-9"H  
Overall Inside Dimensions  
6'-0"W x 10'-0"L x 9'-4"H  
Minimum Excavation Is To Be  
12" Larger Than Product On  
All Sides



Southern California  
Fontana, San Diego, Santa Paula  
Phone: 800-626-3860 Fax: 909-428-3737

### LADWP 61094VT

FILE NAME: 070UEE610VLT.LA.DWG

REVISED: May 2006

[www.oldcastleprecast.com](http://www.oldcastleprecast.com)

**6'-0" x 10'-0" x 9'-4"**  
**Vault G-284 Group 4**  
**Los Angeles D.W.P.**

Copyright © 2008 Oldcastle Precast, Inc.