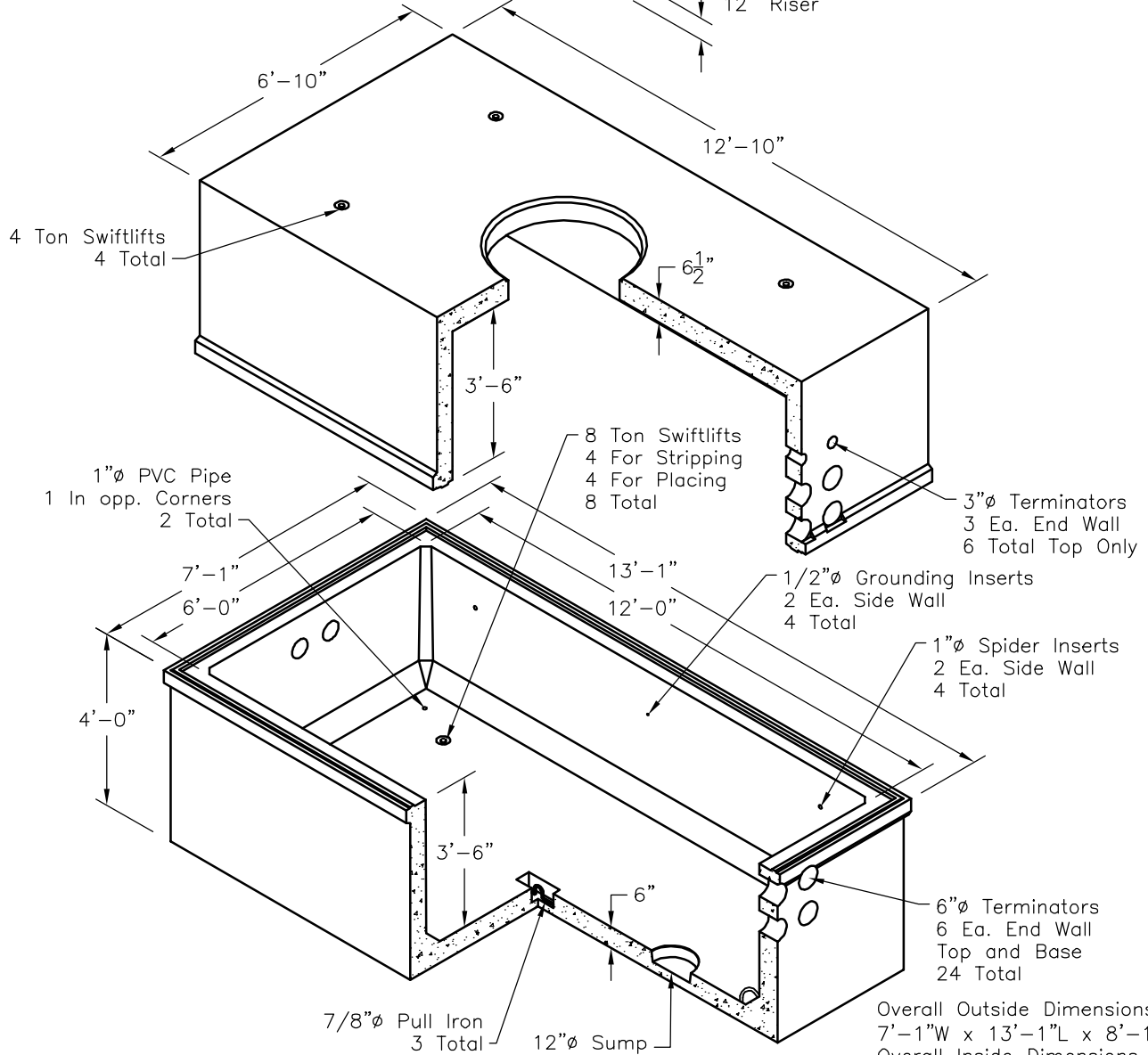


Traffic Cover and Frame
AFCO A1106 or Equal

Identification Spot

36" To 30" Reducer Ring
Available In 9" and 6" Heights

Optional
3" Riser
6" Riser
12" Riser



Overall Outside Dimensions
7'-1"W x 13'-1"L x 8'-1/2"H
Overall Inside Dimensions
6'-0"W x 12'-0"L x 7'-0"H
Minimum Excavation Is To Be
12" Larger Than Product On
All Sides

Approximate Weights
Top - 14300 Lbs
Base - 14800 Lbs

SCALE: 1/4" = 1'-0"



Southern California
Fontana, San Diego, Santa Paula
Phone: 800-626-3860 Fax: 909-428-3737

BURBANK 61284MH

FILE NAME: 070UEE61284MHB.DWG

REVISED: Dec. 2006

www.oldcastleprecast.com

6'-0" x 12'-0" x 7'-0"
Manhole
City of Burbank

Copyright © 2008 Oldcastle Precast, Inc.