

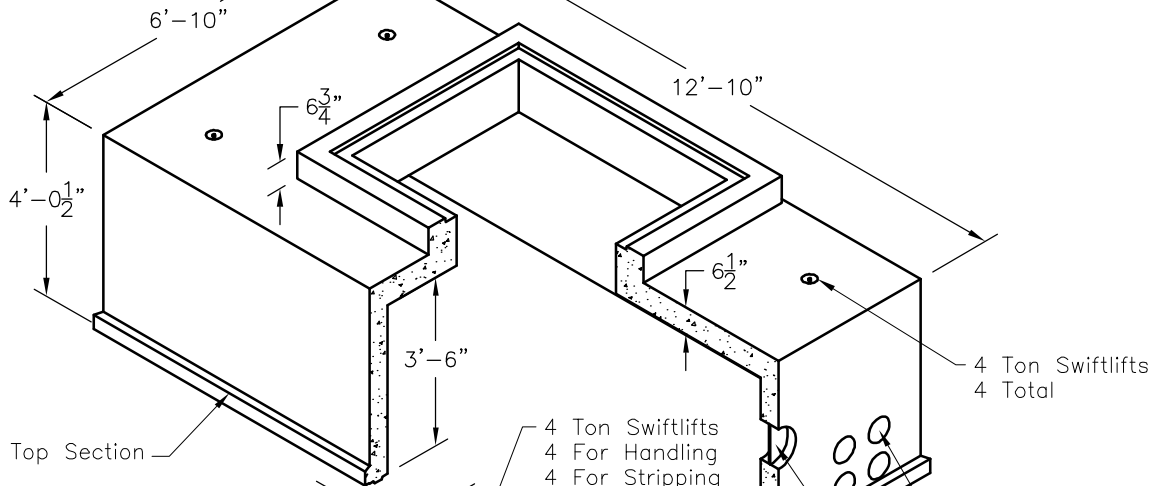
4' x 5' x 8" Plug
Use Felt Between Plug & Neck

4' x 5' x 12" Neck Ring
Optional Risers Are Available
and Are Positioned Between
The Vault and The Neck Ring

2 Ton Swiftlifts
2 Ea. Side Wall
4 Total

Identification Spot

Traffic Cover and Frame
AFCO A1106 or Equal



Top Section

4 Ton Swiftlifts
4 Total

1/2"Ø Grounding Inserts
3 Ea. End Wall
6 Total

4 Ton Swiftlifts
4 For Handling
4 For Stripping
8 Total

6"Ø Terminators
8 Ea. End Wall
16 Total

6'-0"

10"Ø Vent
1 Ea. End Wall
2 Total

4'-0"

Base Section

7/8"Ø Pull Irons
4 Ea. End Wall
8 Total

12"Ø Sump

6"Ø Terminators
12 Ea. End Wall
24 Total

Overall Outside Dimensions
7'-1"W x 13'-1"L x 8'-7 1/4"H
Overall Inside Dimensions
6'-0"W x 12'-0"L x 7'-0"H
Minimum Excavation Is To Be
12" Larger Than Product On
All Sides

Approximate Weights
Top - 12900 Lbs
Base - 12900 Lbs

SCALE: 1/4" = 1'-0"



Southern California
Fontana, San Diego, Santa Paula
Phone: 800-626-3860 Fax: 909-428-3737

COLTON 612VLT

FILE NAME: 070UEE612VLTCT.DWG

REVISED: Dec. 2006

www.oldcastleprecast.com

6'-0" x 12'-0" x 7'-0"
Flat Wall Vault
City of Colton

Copyright © 2008 Oldcastle Precast, Inc.