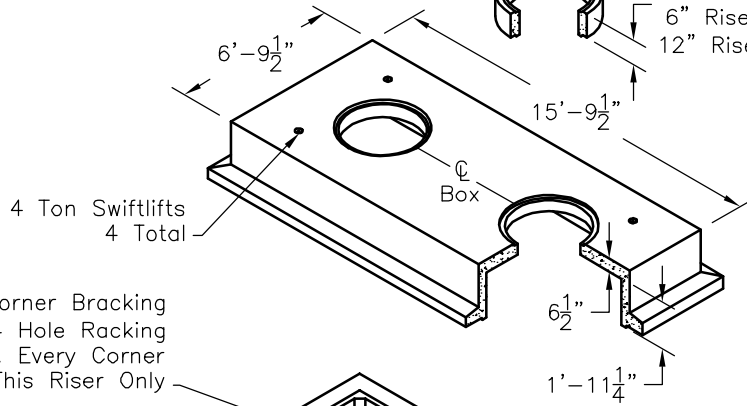


A1134 Traffic Cover and Frame  
 A1136 Parkway Covers and Frames  
 Are Also Available

36" To 30" Reducer Ring  
 Available In 9" and 6" Heights

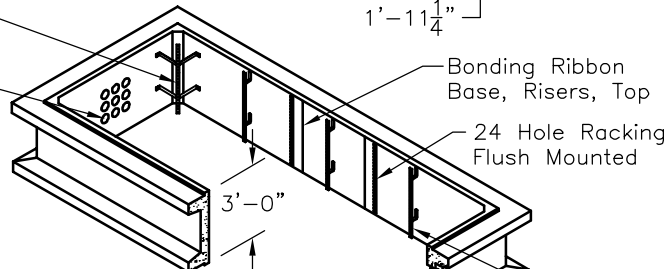
OPTIONAL  
 3" Riser  
 6" Riser  
 12" Riser



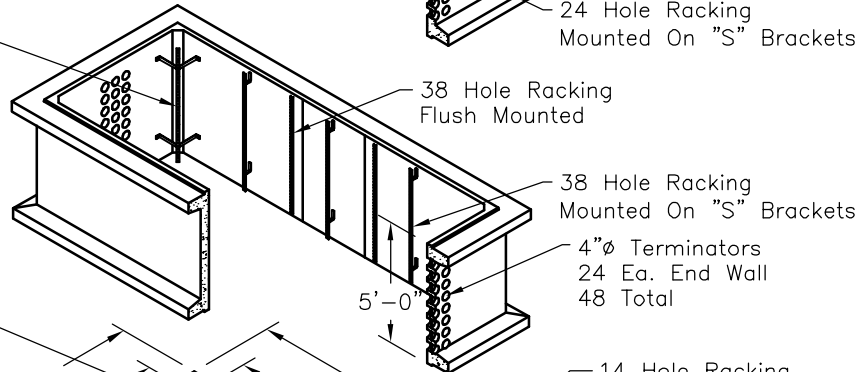
Total Standard Necking  
 Parkway 30" - Traffic 24"

18" x 18" Corner Bracking  
 W/ 24 Hole Racking  
 Typ. Every Corner  
 This Riser Only

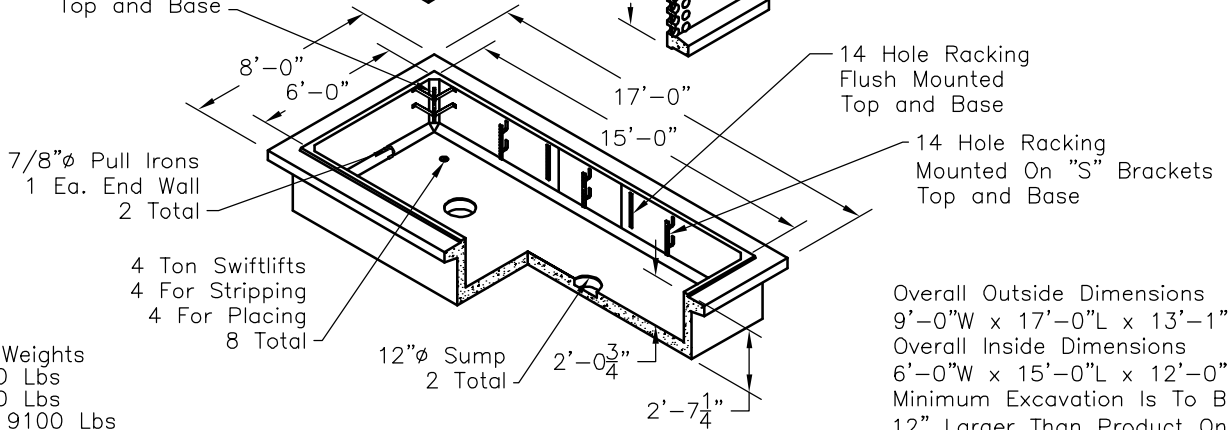
4"Ø Terminators  
 9 Ea. End Wall  
 18 Total



18" x 18" Corner Bracking  
 W/ 38 Hole Racking  
 Typ. Every Corner  
 This Riser Only



18" x 18" Corner Bracking  
 W/ 12 Hole Racking  
 Typ. Every Corner  
 Top and Base



Overall Outside Dimensions  
 9'-0"W x 17'-0"L x 13'-1"H  
 Overall Inside Dimensions  
 6'-0"W x 15'-0"L x 12'-0"H  
 Minimum Excavation Is To Be  
 12" Larger Than Product On  
 All Sides

Approximate Weights  
 Top - 15200 Lbs  
 Base - 16000 Lbs  
 36" Riser - 9100 Lbs  
 60" Riser - 14900 Lbs

SCALE: 1/8" = 1'-0"



Southern California  
 Fontana, San Diego, Santa Paula  
 Phone: 800-626-3860 Fax: 909-428-3737

**AT&T 615144MH**

FILE NAME: 070UTT61512MHATT.DWG

ISSUE DATE: Feb. 2008

[www.oldcastleprecast.com](http://www.oldcastleprecast.com)

**AT&T 6'-0" x 15'-0" x 12'-0"  
 Manhole**

Copyright © 2008 Oldcastle Precast, Inc.