

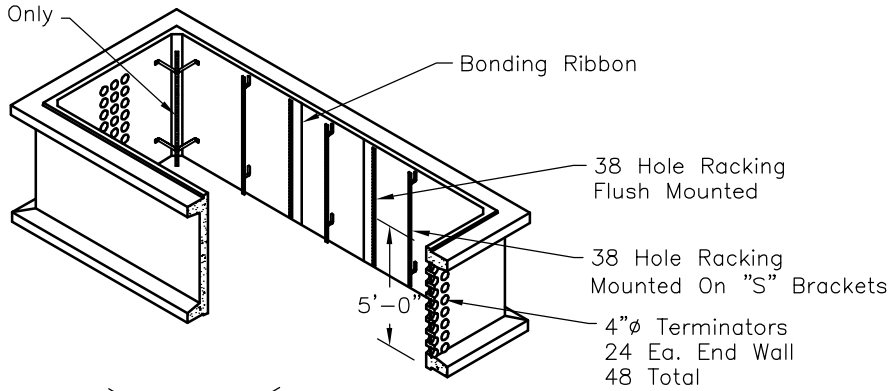
Total Standard Necking
Parkway 30" – Traffic 24"

36" To 30" Reducer Ring
Available In 9" and 6" Heights

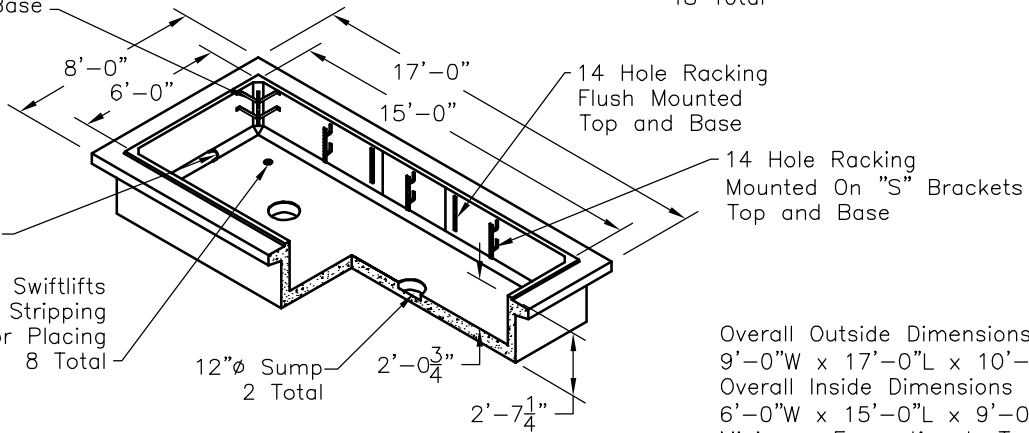
OPTIONAL
3" Riser
6" Riser
12" Riser

4 Ton Swiftlifts
4 Total

18" x 18" Corner Bracking
W/ 38 Hole Racking
Typ. Every Corner
Riser Only



18" x 18" Corner Bracking
W/ 12 Hole Racking
Typ. Every Corner
Top and Base



Overall Outside Dimensions
9'-0"W x 17'-0"L x 10'-1"H
Overall Inside Dimensions
6'-0"W x 15'-0"L x 9'-0"H
Minimum Excavation Is To Be
12" Larger Than Product On
All Sides

Approximate Weights
Top – 15200 Lbs
Base – 16000 Lbs
Riser – 14900 Lbs

SCALE: 1/8" = 1'-0"

Oldcastle Precast
UTILITY VAULT Division
 Southern California
 Fontana, San Diego, Santa Paula
 Phone: 800-626-3860 Fax: 909-428-3737

AT&T 615108MH
 FILE NAME: 070UTT615MHATT.DWG
 ISSUE DATE: Feb. 2008
www.oldcastleprecast.com

AT&T 6'-0" x 15'-0" x 9'-0"
Manhole
 Copyright © 2008 Oldcastle Precast, Inc.