

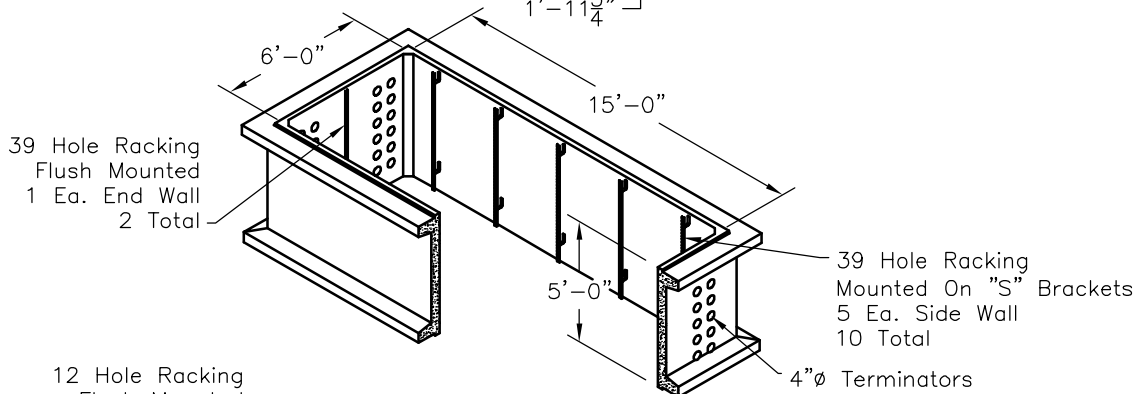
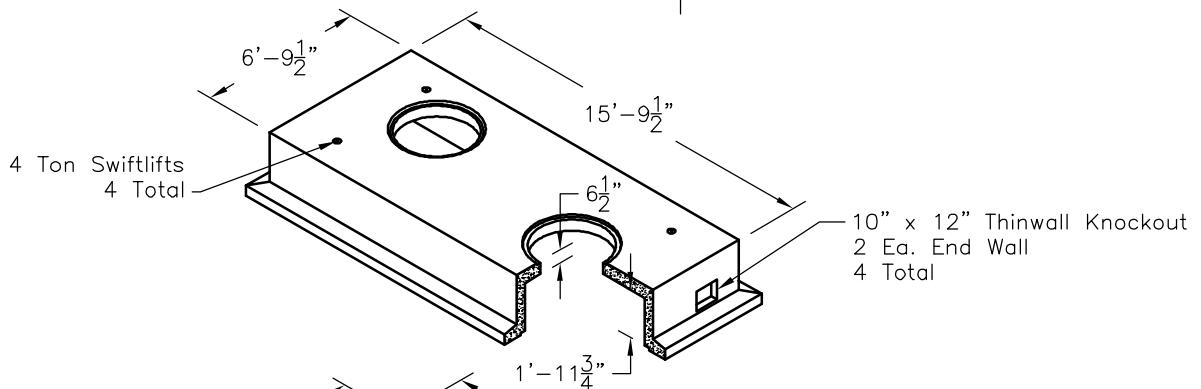
Identification Spot

A1134 Traffic Cover and Frame
A1136 Parkway Covers and Frames
Are Also Available

Total Standard Necking
Parkway 24" – Traffic 18"

36" To 30" Reducer Ring
Available In 9" and 6" Heights

OPTIONAL
3" Riser
6" Riser
12" Riser



12 Hole Racking
Flush Mounted
Top and Base
1 Ea. End Wall
4 Total

4 Ton Swiftlifts
4 For Stripping
4 For Placing
8 Total

4"Ø Terminators
24 Ea. End Wall
48 Total

12 Hole Racking
Mounted On "S" Brackets
Top and Base
5 Ea. Side Wall
20 Total

7/8"Ø Pull Irons
2 Ea. End Wall
8 Total

12"Ø Sump
2 Total

6 1/2"
2'-0 3/4"

Overall Outside Dimensions
6'-9 1/2"W x 15'-9 1/2"L x 10'-1"H
Overall Inside Dimensions
6'-0"W x 15'-0"L x 9'-0"H
Minimum Excavation Is To Be
12" Larger Than Product On
All Sides

Approximate Weights
Top – 16300 Lbs
Base – 16000 Lbs
Riser – 15100 Lbs

SCALE: 1/8" = 1'-0"



Southern California
Fontana, San Diego, Santa Paula
Phone: 800-626-3860 Fax: 909-428-3737

VERIZON 615108MH

FILE NAME: 070UTT615MHVRZ.DWG

ISSUE DATE: July 2001

www.oldcastleprecast.com

6'-0" x 15'-0" x 9'-0"
Manhole
Verizon

Copyright © 2008 Oldcastle Precast, Inc.